

Barudan

BENYHE-ZQ-B04/06

PARTS BOOK

**BENYHE-ZQ-B
BENBHE-ZQ-B
HIGH SPEED AUTOMATIC EMBROIDERY
MACHINE**

Contents

Page 1

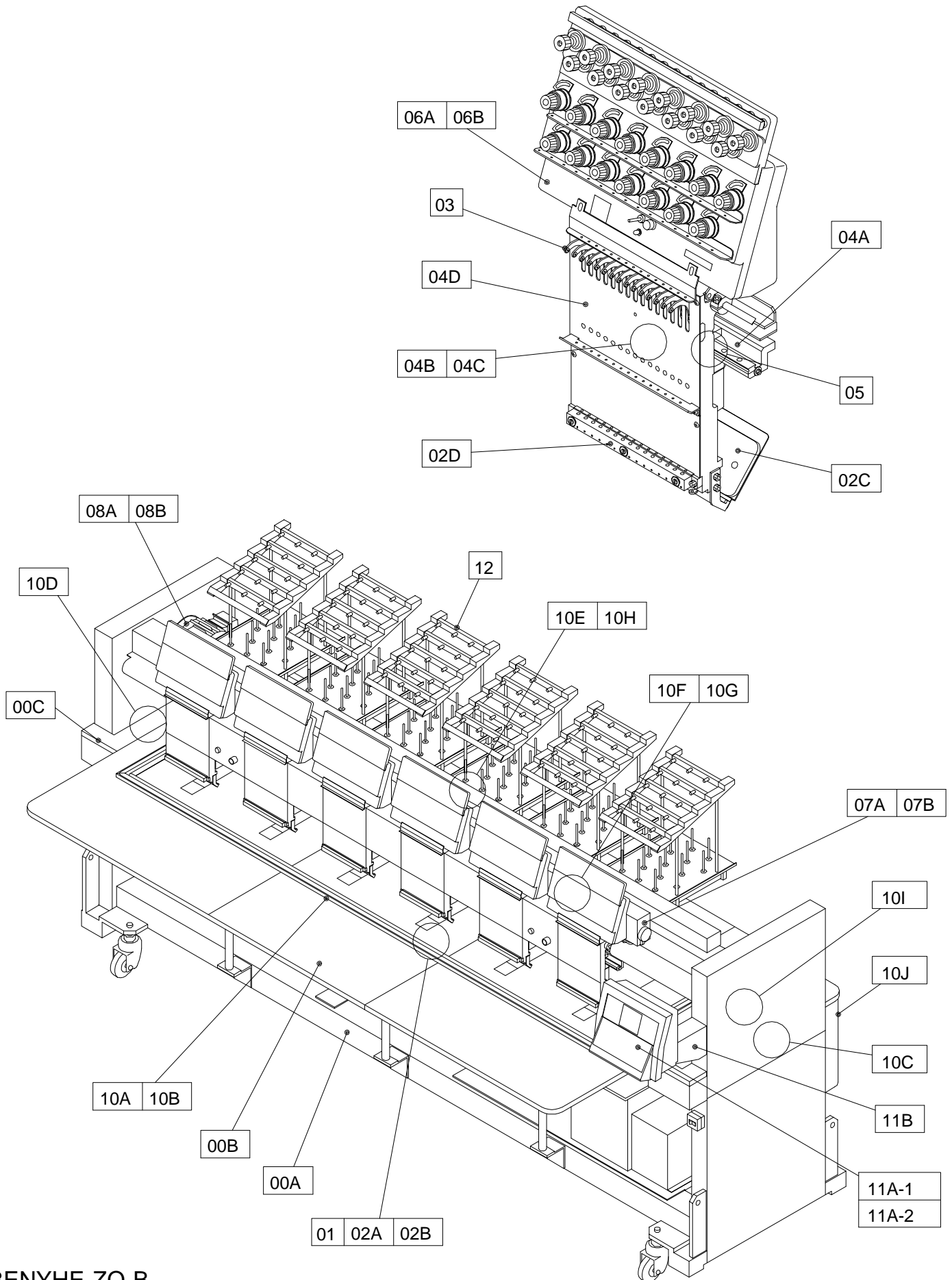
Machine Layout

- 00A Table Frame A
- 00B Table Frame B
- 00C Table Frame C
- 01 Head-Bed
- 02A Thread Cut A
- 02B Thread Cut B
- 02C Thread Cut C
- 02D Thread Cut D
- 03 Take Up Lever
- 04A Needle Bar A
- 04B Needle Bar B
- 04C Needle Bar C
- 04D Needle Bar D
- 05 Jump
- 06A Thread Guide A (Standard)
- 06B Thread Guide B (UTSM)

C o n t e n t s

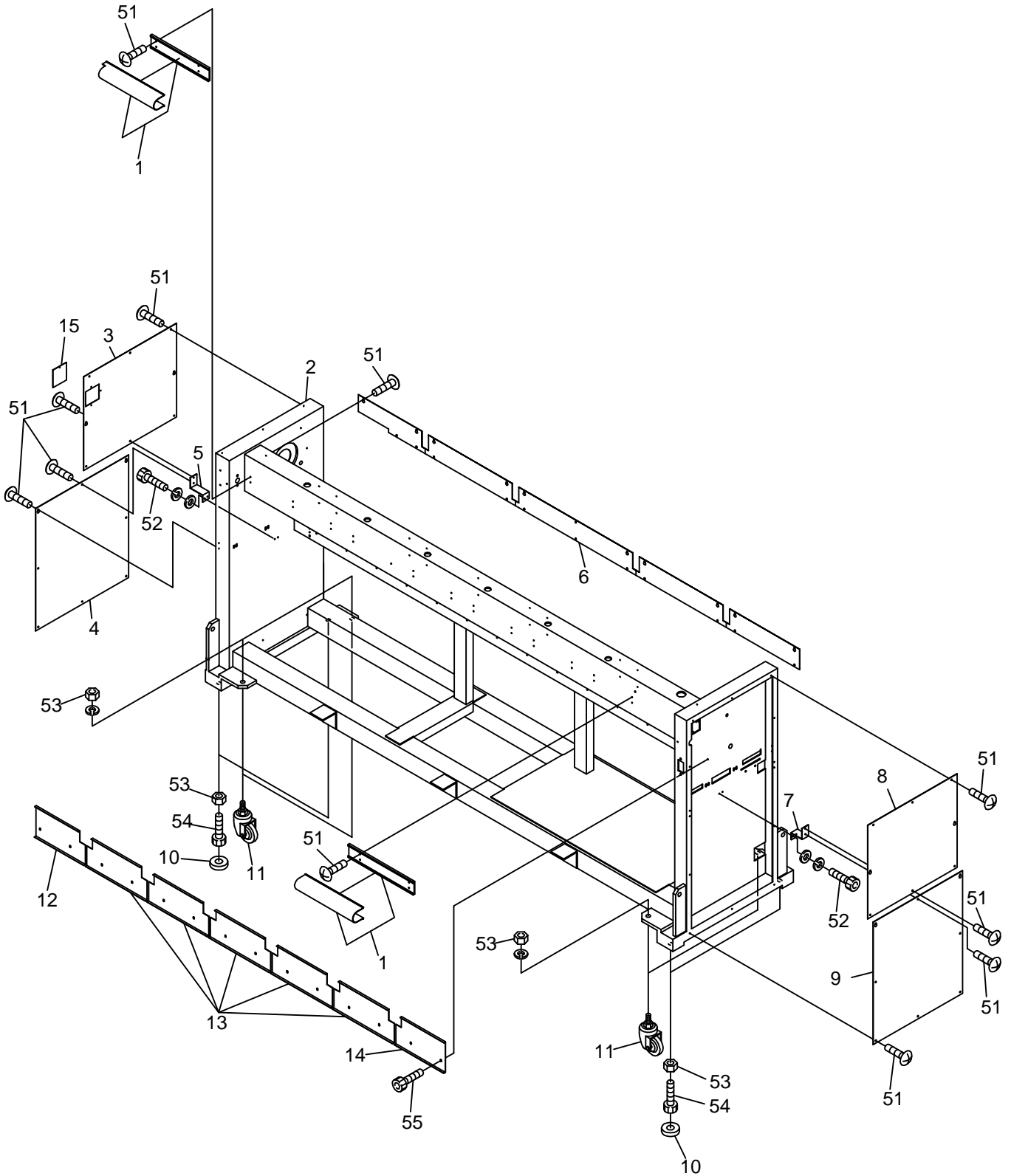
- 07A Color Change A
- 07B Color Change B
- 08A Drive A
- 08B Drive B
- 10A Pantograph Drive A
- 10B-1 Pantograph Drive B-1
- 10B-2 Pantograph Drive B-2 (Tubular Arms)
- 10B-3 Pantograph Drive B-3 (Cap Frame)
- 10C Pantograph Drive C
- 10D Pantograph Drive D
- 10E Pantograph Drive E
- 10F Pantograph Drive F
- 10G Pantograph Drive G
- 10H Pantograph Drive H
- 10I Pantograph Drive I
- 10J Pantograph Drive J
- 11A-1 Control A (NY-2)
- 11A-2 Control A (NB)
- 11B Control B
- 12 Accessories

MACHINE LAYOUT (BENYHE-ZQ-B)



BENYHE-ZQ-B
BENBHE-ZQ-B

00A TABLE FRAME A

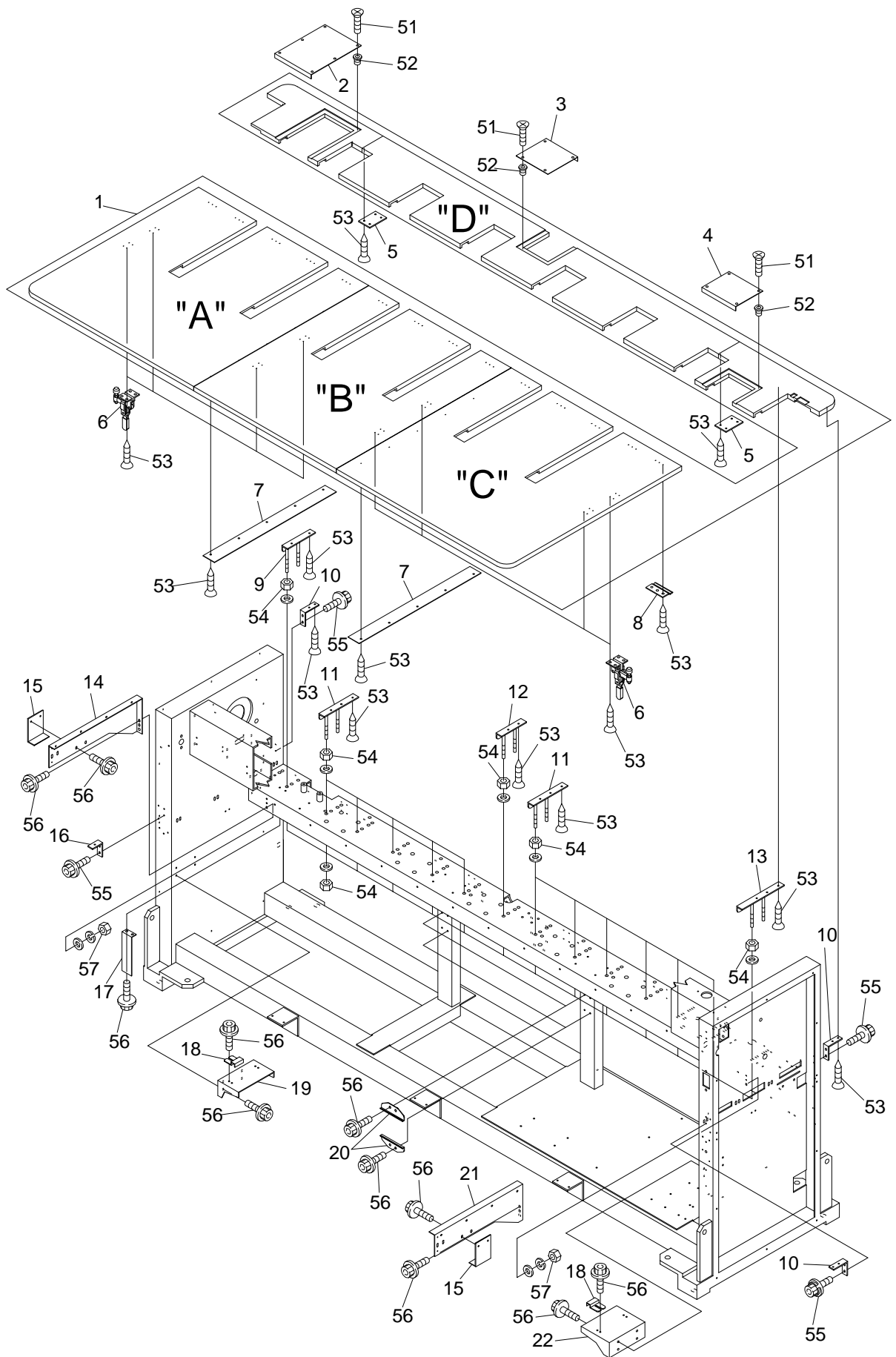


BENYHE-ZQ-B
BENBHE-ZQ-B

00A Table Frame A

| ITEM | LIST NO. | DESCRIPTION | QTY | NOTE |
|-------------|-----------------|-------------------------------------|------------|----------------------------|
| 1. | RQ130000 | Shaft Cover (520) | 1 | |
| | RQ130011 | Shaft Cover (380) | 1 | |
| 2. | RQ160020 | Frame Assembly (NYHE-B04,520) | 1 | |
| | RY160000 | Frame Assembly (NYHE-B04,520) (ZQ5) | | |
| | RQ160032 | Frame Assembly (NYHE-B06,380) | 1 | |
| 3. | RQ160240 | Left Side Cover (Upper) | 1 | |
| 4. | RQ160230 | Left Side Cover (Lower) | 1 | |
| 5. | RQ160260 | Left Cover Support | 1 | |
| 6. | RQ160180 | Bridge Cover ZQ-B04 (520) | 1 | A = Left, B = Right |
| | RQ160180 | Bridge Cover ZQ-B04 (520) (ZQ5) | | A=left ,B =center ,C=right |
| | RQ160191 | Bridge Cover ZQ-B06 (380) | 1 | |
| 7. | RQ160250 | Right Cover Support | 1 | |
| 8. | RQ160220 | Right Side Cover (Upper) | 1 | |
| 9. | RQ160210 | Right Side Cover (Lower) | 1 | |
| 10. | RQ160010 | Mounting Base | 4 | |
| 11. | A9019005 | Caster (420SA-UB 100mm) | 4 | |
| 12. | RQ140120 | Oil Cover Left (520) | 1 | |
| | RQ140131 | Oil Cover Left (380) | 1 | |
| 13. | RQ140140 | Oil Cover Center (520) | 3 | |
| | RQ140150 | Oil Cover Center (380) | 5 | |
| 14. | RQ140100 | Oil Cover Right (520) | 1 | |
| | RQ140111 | Oil Cover Right (380) | 1 | |
| 15. | RQ310060 | Blind Lid | | |
| 51. | | Truss Screw M5 x 8 | | |
| 52. | | Hex Socket Bolt M5 x 10 | | |
| 53. | | Hex Nut M20 | | |
| 54. | | Hex Bolt M20 x 65 | | |
| 55. | | Hex Socket Flange Bolt M6 x 12 | | |
| | | | | |
| | | | | |
| | | | | |
| | | | | |
| | | | | |
| | | | | |
| | | | | |
| | | | | |
| | | | | |
| | | | | |
| | | | | |
| | | | | |
| | | | | |
| | | | | |
| | | | | |
| | | | | |
| | | | | |
| | | | | |
| | | | | |
| | | | | |
| | | | | |

00B TABLE FRAME B

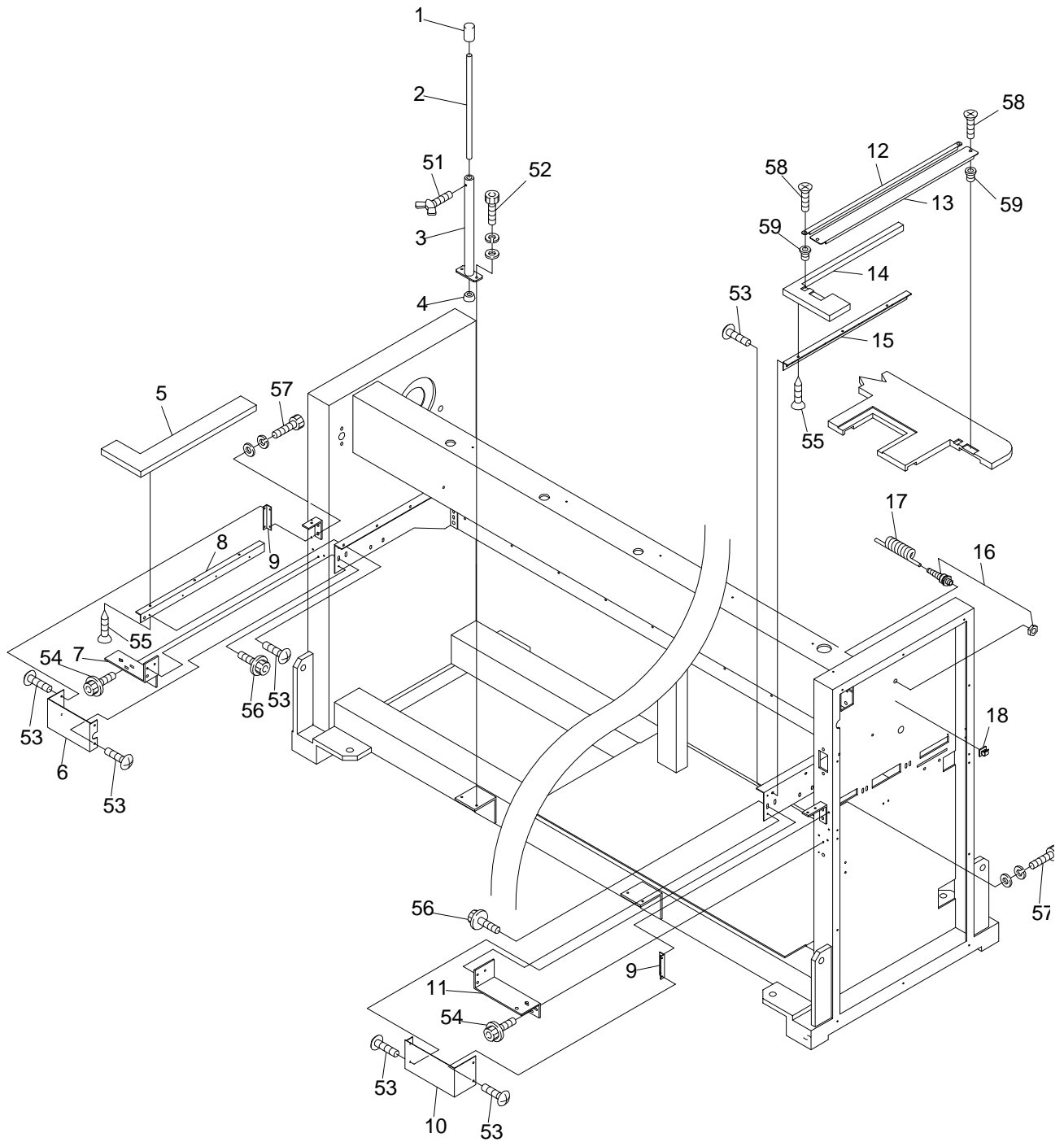


BENYHE-ZQ-B
BENBHE-ZQ-B

00B Table Frame B

| ITEM | LIST NO. | DESCRIPTION | QTY | NOTE |
|------|----------|---|-----|----------------|
| 1. | RQ120000 | Table Top, NYHE-ZQ- B04 | 1 | Sections A - D |
| | RQ120011 | Table Top, NYHE-ZQ- B06 | 1 | |
| 2. | HM120011 | Table Cover | 1 | |
| 3. | RQ120070 | Center Table Cover | 1 | |
| 4. | HM120020 | Right Table Cover | 1 | |
| 5. | RQ120080 | Connecting Plate | 2 | |
| 6. | A100286 | Vertical Flange Base Clamp | 8 | |
| 7. | RQ120020 | Joint Plate | 2 | |
| 8. | HM140120 | Table Stopper (Front) | 10 | 4 head |
| | | | 14 | 6 head |
| 9. | RQ140010 | Table Support #2 | 2 | |
| 10. | RQ140170 | Side Table Support #1 | 3 | |
| 11. | RQ140000 | Table Support #1 | 7 | 4 head |
| | | | 11 | 6 head |
| 12. | RQ140030 | Table Support #4 | 1 | |
| 13. | RQ140020 | Table Support #3 | 1 | |
| 14. | RQ140050 | Table Support (Left) | 1 | |
| 15. | RQ140250 | Table Support (Center) | 2 | |
| 16. | RQ140180 | Side Table Support #2 | 1 | |
| 17. | RQ140160 | Table Fixing Bracket | 2 | |
| 18. | HM140100 | Table Stopper Side | 4 | |
| 19. | RQ140090 | Lower Table Support (Left) | 1 | |
| 20. | HM140060 | Lower Table Support (Front) | 4 | |
| 21. | RQ140040 | Table Support (Right) | 1 | |
| 22. | RQ140080 | Lower Table Support (Right) | 1 | |
| 51. | | Screw, 8-32 x 3/8 Phillips Undercut Flat Head | | |
| 52. | A100140 | #8-32 Wood Insert | | |
| 53. | | #8-18 X 3/4" (Tek) | | |
| 54. | | Hex Nut M10 | | |
| 55. | | Hex Socket Flange Bolt M5 x 16 | | |
| 56. | | Hex Socket Flange Bolt M6 x 16 | | |
| 57. | | Hex Nut M5 | | |
| | | | | |
| | | | | |
| | | | | |
| | | | | |
| | | | | |
| | | | | |
| | | | | |
| | | | | |
| | | | | |
| | | | | |
| | | | | |
| | | | | |

00C TABLE FRAME C

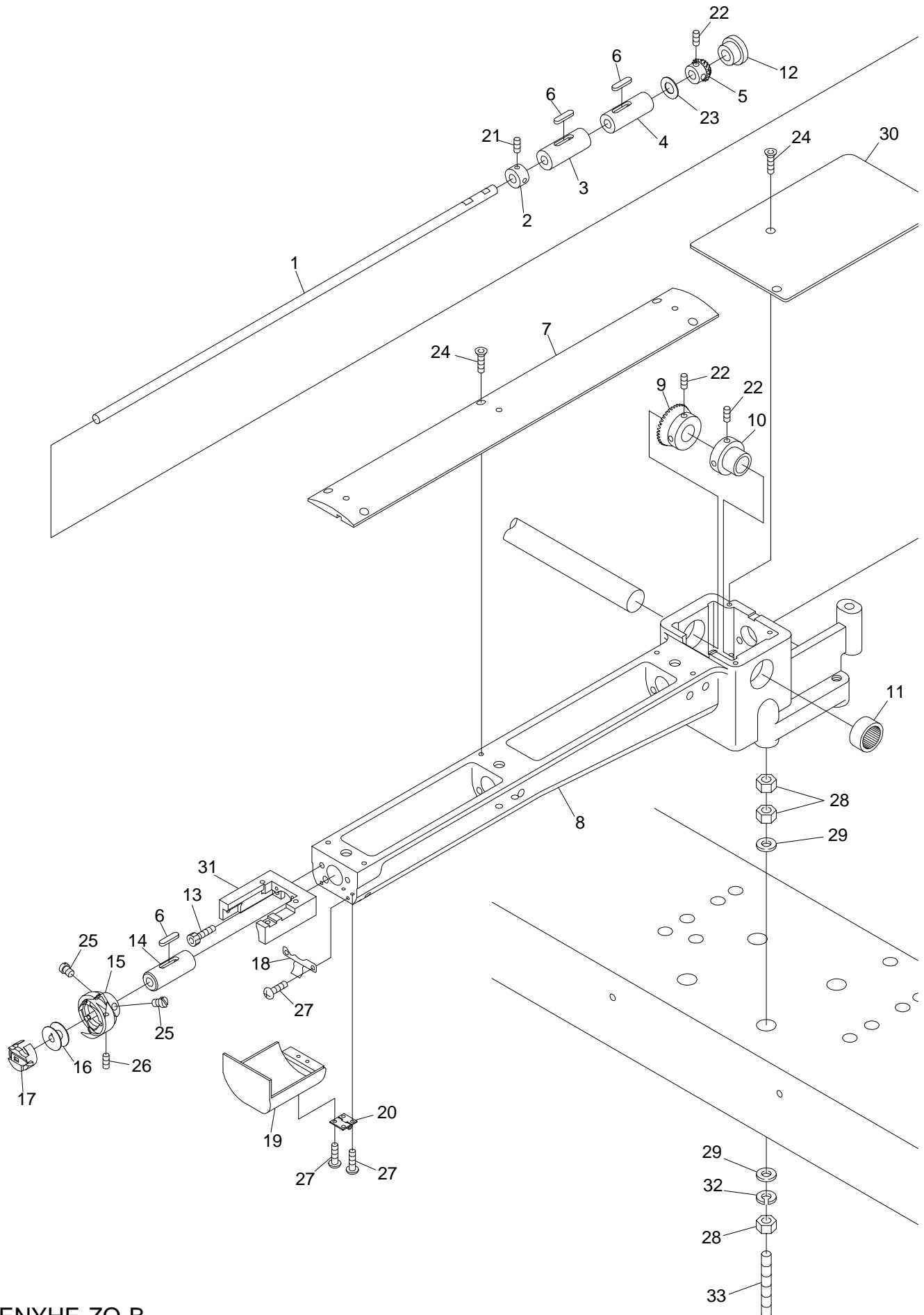


BENYHE-ZQ-B
BENBHE-ZQ-B

00C Table Frame C

| ITEM | LIST NO. | DESCRIPTION | QTY | NOTE |
|-------------|-----------------|---|------------|-------------|
| 1. | A100296 | Table Support Cap (15mm) | 3 | |
| 2. | KC320113 | Table Support Stay (15mm Dia. x 360mm Long) | 3 | |
| 3. | HM140230 | Table Support | 3 | |
| 4. | HM140250 | Cushion Rubber | 3 | |
| 5. | RQ120000 | Table Top Section "E" | 1 | |
| 6. | RQ140210 | Front Cover (Left) | 1 | |
| 7. | RQ140070 | Table Support Stopper (Left) | 1 | |
| 8. | RQ140230 | Side Table Support Bracket (Left) | 1 | |
| 9. | RQ140190 | Bracket Fixing Cover | 2 | |
| 10. | RQ140200 | Front Cover (Right) | 1 | |
| 11. | RQ140060 | Table Support Stopper (Right) | 1 | |
| 12. | RQ120050 | H-Rail Space Cover (1) | 1 | |
| 13. | RQ120060 | H-Rail Space Cover (2) | 1 | |
| 14. | RQ120000 | Table Top Section "F" | 1 | |
| 15. | RQ140220 | Side Table Support Bracket (Right) | 1 | |
| 16. | A9068030 | Bushing (NW-7RP) | 1 | |
| 17. | A9053065 | Retractable Coil Cord | | |
| 18. | A9068031 | Wire Clamp | | |
| 51. | | Wing Screw M6 x 16 | | |
| 52. | | Hex. Socket Bolt M6 x 15 | | |
| 53. | | Phillips Truss Head Screw M4 x 6 | | |
| 54. | | Hex Socket Flange Bolt M5 x 16 | | |
| 55. | | #8-18 X 3/4" (Tek) | | |
| 56. | | Hex Socket Flat Head Screw M5 x 15 | | |
| 57. | | Hex. Socket Bolt M4 x 10 | | |
| 58. | | Screw, 8-32 x 3/8 Phillips Undercut Flat Head | | |
| 59. | A100140 | #8-32 Wood Insert | | |
| | | | | |
| | | | | |
| | | | | |
| | | | | |
| | | | | |
| | | | | |
| | | | | |
| | | | | |
| | | | | |
| | | | | |
| | | | | |
| | | | | |
| | | | | |
| | | | | |
| | | | | |
| | | | | |
| | | | | |
| | | | | |
| | | | | |
| | | | | |
| | | | | |

01 HEAD BED



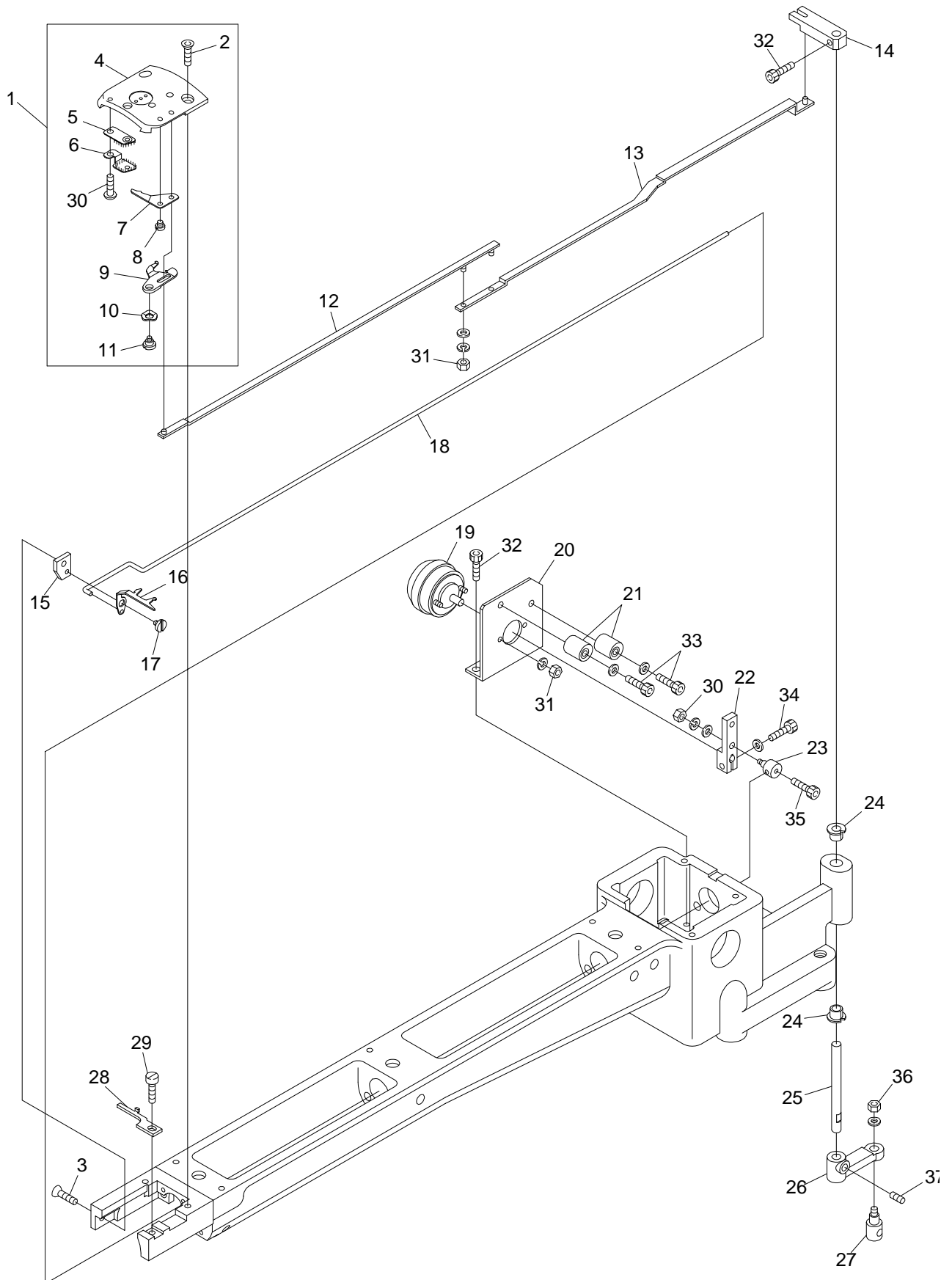
BENYHE-ZQ-B
BENBHE-ZQ-B

01 Head-Bed

(H=Head Qty.)

| ITEM | LIST NO. | DESCRIPTION | QTY | NOTE |
|------|----------|--|-----|-------------|
| 1. | HS210021 | Lower Shaft | Hx1 | Small Hook |
| | HS210020 | Lower Shaft | Hx1 | Medium Hook |
| 2. | KF220290 | Lower Shaft Collar | Hx1 | |
| 3. | KF220230 | Lower Shaft Metal (Front) | Hx1 | |
| 4. | KL220270 | Lower Shaft Metal (Rear) | Hx1 | |
| 5. | HP220712 | Lower Shaft Gear (Small) | Hx1 | |
| 6. | KL220140 | Oil Felt "C" (5 x 25 x 20) | Hx3 | |
| 7. | HS210190 | Cylinder Bed Cover | Hx1 | |
| 8. | HS210013 | Cylinder Bed, R-Type | Hx1 | Small Hook |
| | HS210230 | Cylinder Bed, R-Type | Hx1 | Medium Hook |
| 9. | HP321082 | Lower Shaft Connecting Gear (Large) | Hx1 | |
| 10. | HP321090 | Lower Shaft Connecting Collar | Hx1 | |
| 11. | A9011111 | Needle Bearing (TLA-2012Z) | Hx1 | |
| 12. | A9014059 | Grommet (MG-1) | Hx1 | |
| 13. | | Hex Socket Bolt M5x15 | | |
| 14. | KF220240 | Arm Shaft Bushing (Upper) | Hx1 | |
| 15. | KF220700 | Sewing Hook (HSL-ATR M1QTS) | Hx1 | Small Hook |
| | HB220010 | Sewing Hook (HMS-A M2QTS) | Hx1 | Medium Hook |
| 16. | KF220530 | Bobbin | Hx1 | Small Hook |
| | KF220421 | Bobbin (HMS DBM) | Hx1 | Medium Hook |
| 17. | KF220981 | Bobbin Case (SC35-BNS-3) | Hx1 | Small Hook |
| | KF220302 | Bobbin Case (BC-DB MZ2 NBL5) | Hx1 | Medium Hook |
| 18. | KC250482 | Cylinder Bed Hook Cover Holding Spring | Hx1 | |
| 19. | HS210030 | Cylinder Bed Hook Cover | Hx1 | |
| 20. | A9012027 | Hinge (TH-TM-72) | Hx1 | |
| 21. | | Hex Socket Set Screw SM ¼-40 x 4 | | |
| 22. | | Hex Socket Set Screw M5 x 6 | | |
| 23. | A9012154 | Thrust Washer (TRA-512) | Hx1 | |
| 24. | KX250080 | Throat Plate Screw (Hex Socket) | Hx7 | |
| 25. | | Screw SM 11/64-40 x 5 | | |
| 26. | | Set Screw SM 11/64-40 x 5 | | |
| 27. | | Phillips Pan Head Screw M3 x 6 | | |
| 28. | | Hex Nut M8 | | |
| 29. | | Flat Washer M8 | | |
| 30. | HS210042 | Bed Cover | Hx1 | |
| 31. | LA210080 | Throat Plate Base | Hx1 | Small Hook |
| | HS210200 | Throat Plate Base | Hx1 | Medium Hook |
| 32. | | Spring Washer M8 | | |
| 33. | | Hex Socket Set Screw M8 x 70 | | |
| | | | | |
| | | | | |
| | | | | |
| | | | | |
| | | | | |

02A THREAD CUT A



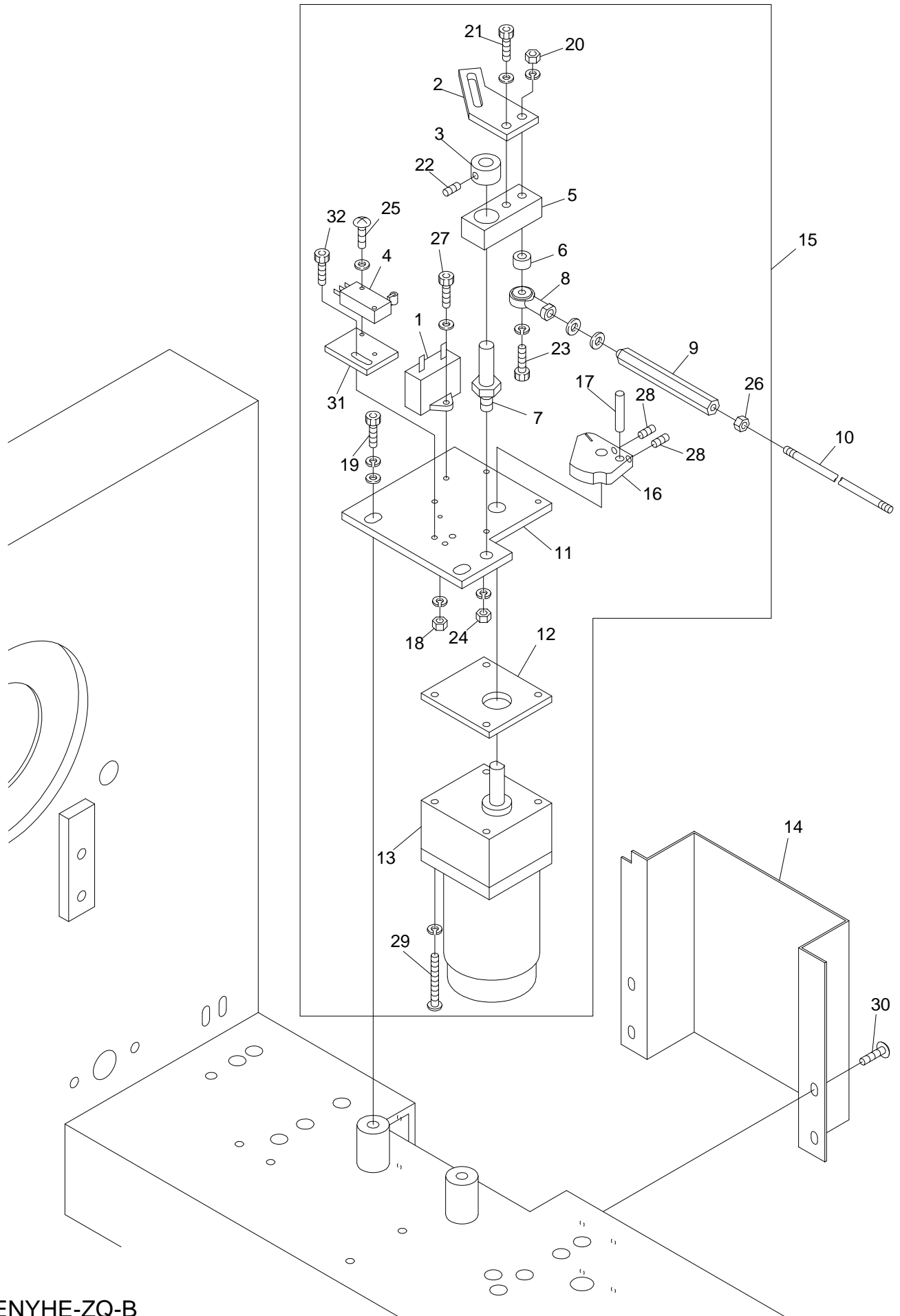
BENYHE-ZQ-B
BENBHE-ZQ-B

02A Thread Cut A

(H=Head Qty.)

| ITEM | LIST NO. | DESCRIPTION | QTY | NOTE |
|------|-----------|---|-----|----------------|
| 1. | KX270281 | Throat Plate Assembly (MK-5) | Hx1 | With Washer |
| | ZKX270282 | Throat Plate Assembly, ZN/ZQA (MK-5) | | Without Washer |
| 2. | KX250080 | Throat Plate Screw | Hx2 | |
| 3. | | Hex Socket Flush Screw M4x 6 | Hx1 | |
| 4. | KX270022 | Throat Plate, ZN/ZQA (MK-5) | Hx1 | |
| 5. | HT270160 | Lower Thread Support Stay (Upper) | Hx1 | |
| 6. | HT270180 | Lower Thread Support Stay (Lower) | Hx1 | |
| 7. | KN270961 | Fixed Knife | Hx1 | |
| 8. | KX270010 | Fixed Knife Set Screw | Hx1 | |
| 9. | KN270952 | Driving Knife | Hx1 | |
| 10. | A9013066 | Wave Washer (WW-5 SK) | Hx1 | |
| 11. | KC270970 | Knife Turning Shaft | Hx1 | |
| 12. | HS210111 | Knife Drive Rod A | Hx1 | |
| 13. | HS210121 | Knife Drive Rod B | Hx1 | |
| 14. | HS210100 | Knife Lever (Upper) | Hx1 | |
| 15. | HS210050 | Fork Attaching Stay | Hx1 | |
| 16. | HS210143 | Trimmer Fork | Hx1 | Small Hook |
| | HS210142 | Trimmer Fork | Hx1 | Medium Hook |
| 17. | KC271001 | Upper Thread Knife Turning Shaft | Hx1 | |
| 18. | HS210070 | Fork Driving Rod | Hx1 | |
| 19. | A9056030 | Rotary Solenoid, Trimmer Fork (M960371R)(ETL) | Hx1 | |
| 20. | HS210061 | Solenoid Stay | Hx1 | Small Hook |
| | HS210060 | Solenoid Stay | Hx1 | Medium Hook |
| 21. | KN272401 | Eccentric Stopper | Hx2 | |
| 22. | KC271940 | Solenoid Lever A | Hx1 | |
| 23. | HS210080 | Connecting Clamp | Hx1 | |
| 24. | A9011173 | DU Bushing With Flange (MB060-12FDU) | Hx2 | |
| 25. | HS210090 | Knife Lever Driving Shaft | Hx1 | |
| 26. | KN271560 | Knife Lever (Lower) | Hx1 | |
| 27. | HM270000 | Connecting Bar Clamp | Hx1 | |
| 28. | KX270000 | Hook Position Bracket | Hx1 | |
| 29. | A9012007 | Hook Position Bracket Screw (SM11/64-40 x 7) | Hx1 | |
| 30. | | Pan Head Screw M3 x 3 | | |
| 31. | | Hex Nut M3 | | |
| 32. | | Hex Socket Bolt M4 x 8 | | |
| 33. | | Hex Socket Bolt M4 x 18 | | |
| 34. | | Hex Socket Bolt M4 x 10 | | |
| 35. | | Hex Socket Bolt M3 x 5 | | |
| 36. | | Hex Nut M4 | | |
| 37. | | Hex Socket Set Screw M5 x 6 | | |
| | | | | |
| | | | | |
| | | | | |
| | | | | |
| | | | | |

02B THREAD CUT B

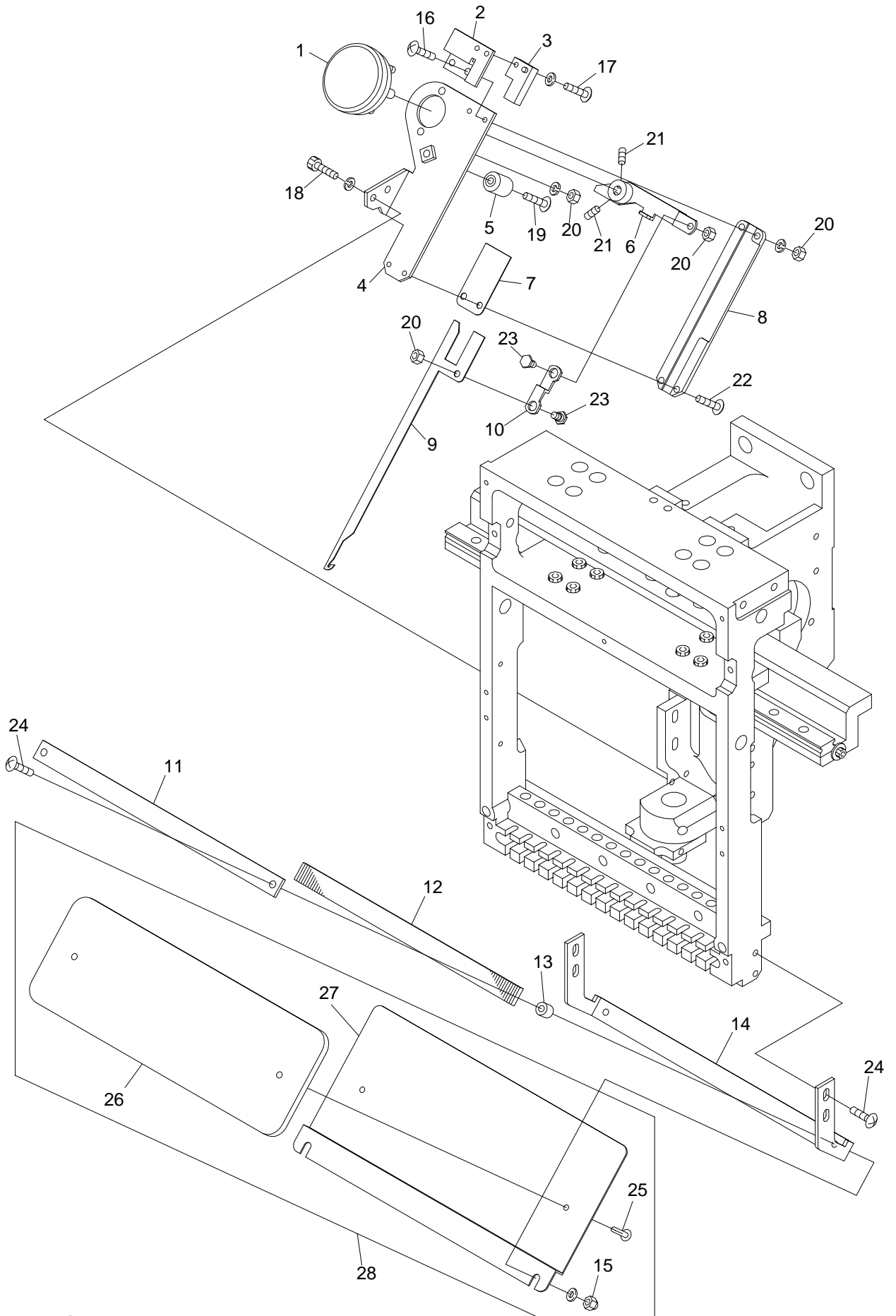


BENYHE-ZQ-B
BENBHE-ZQ-B

02B Thread Cut B

| ITEM | LIST NO. | DESCRIPTION | QTY | NOTE |
|------|----------|--|-----|-----------|
| 1. | A9054041 | Condenser (4uf - 200V) | 1 | |
| 2. | HS270030 | Motor Cam Lever | 1 | |
| 3. | KC330180 | Collar (10.0 Dia.) | 1 | |
| 4. | A9052078 | Micro Switch (D2VW-01L2A-1) | 1 | |
| 5. | KN271728 | Drive Lever | 1 | |
| 6. | HM270010 | Motor Lever Collar | 1 | |
| 7. | KN271750 | Motor Lever Turning Shaft | 1 | |
| 8. | A9012002 | Uniball Joint (PR-6) | 1 | |
| 9. | KC330510 | Hex Connecting Rod | 1 | |
| 10. | KC330410 | Lock Connecting Rod (1835mm) | 1 | |
| 11. | HS270011 | Motor Bracket | 1 | |
| 12. | KC271430 | Motor Spacer | 1 | |
| 13. | A9065088 | Trimmer Motor (RM-H6A8PE-AA3526RH-D36X115) (ETL) | 1 | |
| 14. | RQ480240 | Trimmer Motor Frame Cover | 1 | |
| 15. | HS270100 | Trimmer Motor Drive Assembly (ETL) | 1 | |
| 16. | HN270010 | Drive Cam, HE (MK-5) | 1 | |
| 17. | KN272350 | Drive Pin | 1 | |
| 18. | | Hex Nut M3 | | |
| 19. | | Hex Socket Bolt M8 x 20 | | |
| 20. | | Hex Nut M6 | | |
| 21. | | Hex Socket Bolt M6 x 12 | | |
| 22. | | Hex Socket Set Screw M5 x 6 | | |
| 23. | | Hex Socket Bolt M6 x 55 | | |
| 24. | | Hex Nut M8 | | |
| 25. | | Phillips Truss Head Screw M3 x 20 | | |
| 26. | | Hex Nut M5 | | |
| 27. | | Hex Socket Bolt M4 x 10 | | |
| 28. | | Hex Socket Set Screw M5 x 6 | | |
| 29. | | Phillips Pan Head Screw M5 x 60 | | |
| 30. | | Phillips Truss Head Screw M4 x 6 | | |
| 31. | HS270070 | Micro Switch Fixed Bracket | | |
| 32. | | Hex Socket Bolt M4 x 12 | | |
| | | | | |
| | A9053082 | Trimmer Motor Cable (0.75 x 6 x 4m) | 1 | Not Shown |
| | | | | |
| | | | | |
| | | | | |
| | | | | |
| | | | | |
| | | | | |
| | | | | |
| | | | | |
| | | | | |
| | | | | |
| | | | | |

02C THREAD CUT C



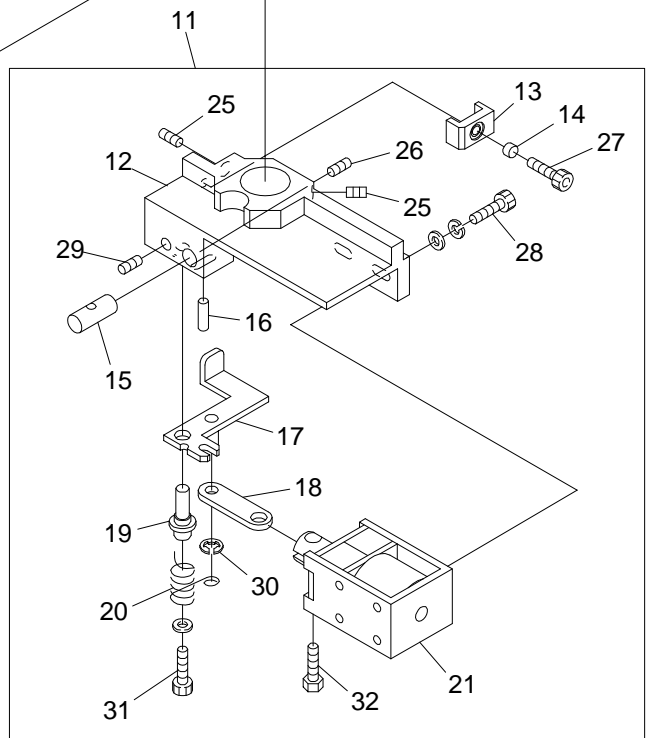
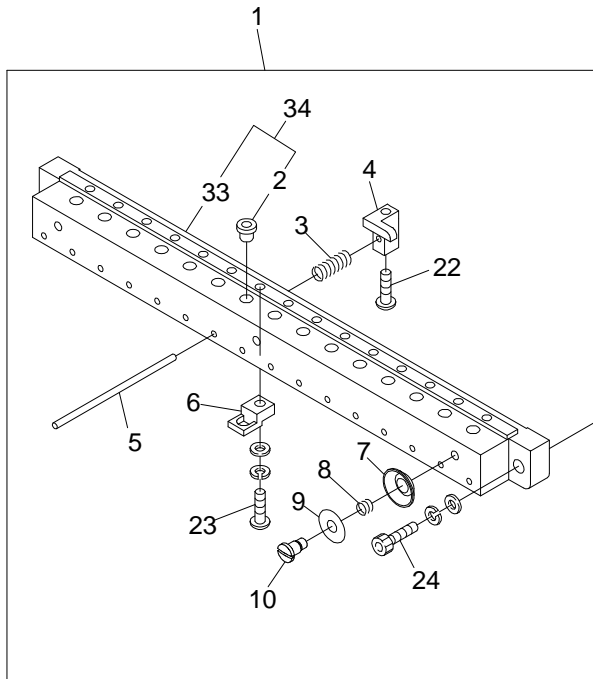
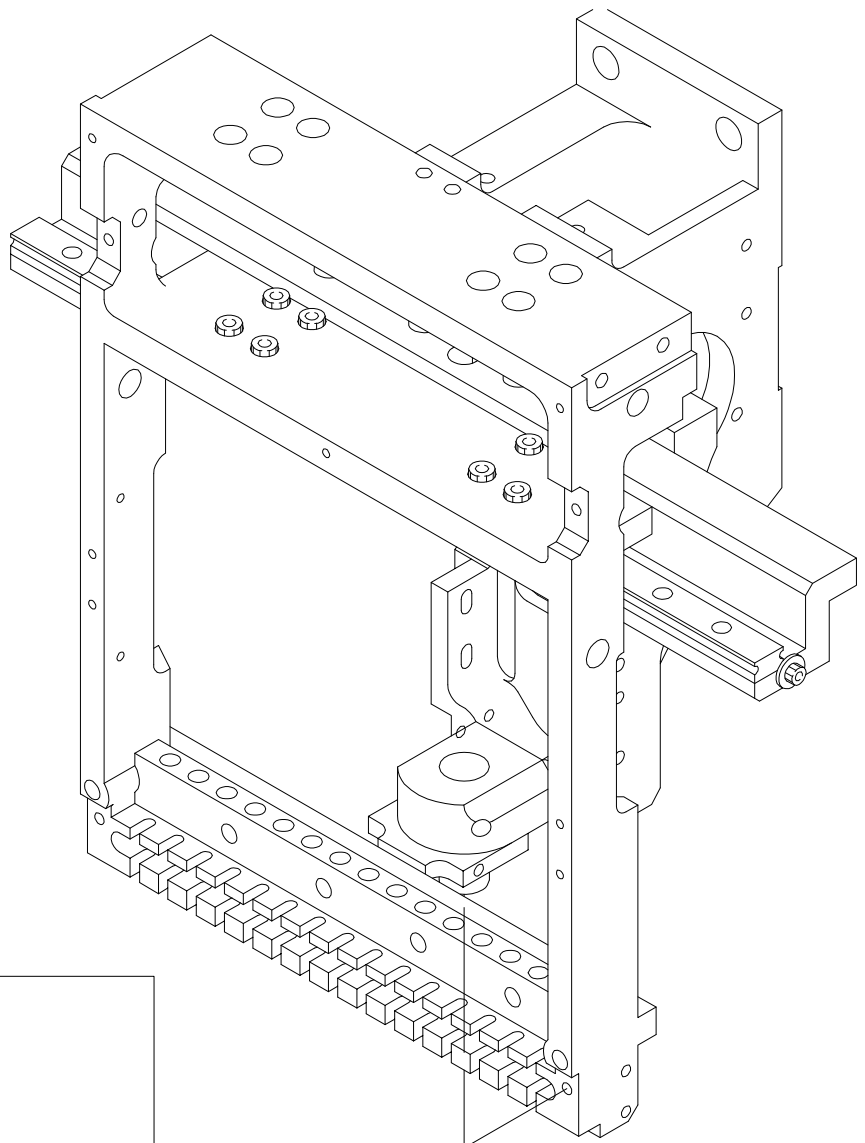
BENYHE-ZQ-B
BENBHE-ZQ-B

02C Thread Cut C

(H=Head Qty.)

| ITEM | LIST NO. | DESCRIPTION | QTY | NOTE |
|-------------|-----------------|--|------------|-------------|
| 1. | A9056031 | Rotary Solenoid, Slider (M970385R) (ETL) | Hx1 | |
| 2. | KL270260 | Switch Stay | Hx1 | |
| 3. | A9052028 | Proximity Switch (RS-603) | Hx1 | |
| 4. | KL270081 | Thread Away Base | Hx1 | |
| 5. | KN272401 | Eccentric Stopper | Hx1 | |
| 6. | KL270110 | Thread Away Solenoid Lever | Hx1 | |
| 7. | KL270450 | Hook Guide Plate | Hx1 | |
| 8. | KL270091 | Thread Away Hook Guide | Hx1 | |
| 9. | KL270101 | Thread Away Hook | Hx1 | |
| 10. | KL270120 | Connecting Plate | Hx1 | |
| 11. | RD270040 | Thread Guard Plate | Hx1 | |
| 12. | RD270020 | Thread Keep Plate | Hx1 | |
| 13. | KX270070 | Thread Guard Spacer | Hx2 | |
| 14. | RD270031 | Thread Guard Plate Bracket | Hx1 | |
| 15. | | Cap Nut M4 | | |
| 16. | | Phillips Truss Head Screw M3 x 10 | | |
| 17. | | Phillips Truss Head Screw M3 x 6 (with Washer) | | |
| 18. | | Hex Socket Bolt M4 x 12 (with Washer) | | |
| 19. | | Phillips Truss Head Screw M4 x 16 | | |
| 20. | | Hex Nut M4 | | |
| 21. | | Hex Socket Set Screw M4 x 8 | | |
| 22. | | Phillips Truss Head Screw M3 x 6 | | |
| 23. | KL270130 | Lever Connection Pin | Hx2 | |
| 24. | | Phillips Truss Head Screw M4 x 8 | | |
| 25. | A9014158 | Brass Rivet (2.5 Dia. x 12mm) | Hx2 | |
| 26. | RD250150 | Oil Cover Felt | Hx1 | |
| 27. | RD250140 | Oil Cover | Hx1 | |
| 28. | RD250160 | Oil Cover Set | Hx1 | |
| | RV250100 | Oil Cover Set (ZQ5) | | |
| | | | | |
| | | | | |
| | | | | |
| | | | | |
| | | | | |
| | | | | |
| | | | | |
| | | | | |
| | | | | |
| | | | | |
| | | | | |
| | | | | |
| | | | | |
| | | | | |
| | | | | |
| | | | | |
| | | | | |
| | | | | |
| | | | | |
| | | | | |
| | | | | |
| | | | | |
| | | | | |
| | | | | |
| | | | | |
| | | | | |
| | | | | |
| | | | | |
| | | | | |
| | | | | |
| | | | | |
| | | | | |
| | | | | |
| | | | | |
| | | | | |

02D THREAD CUT D



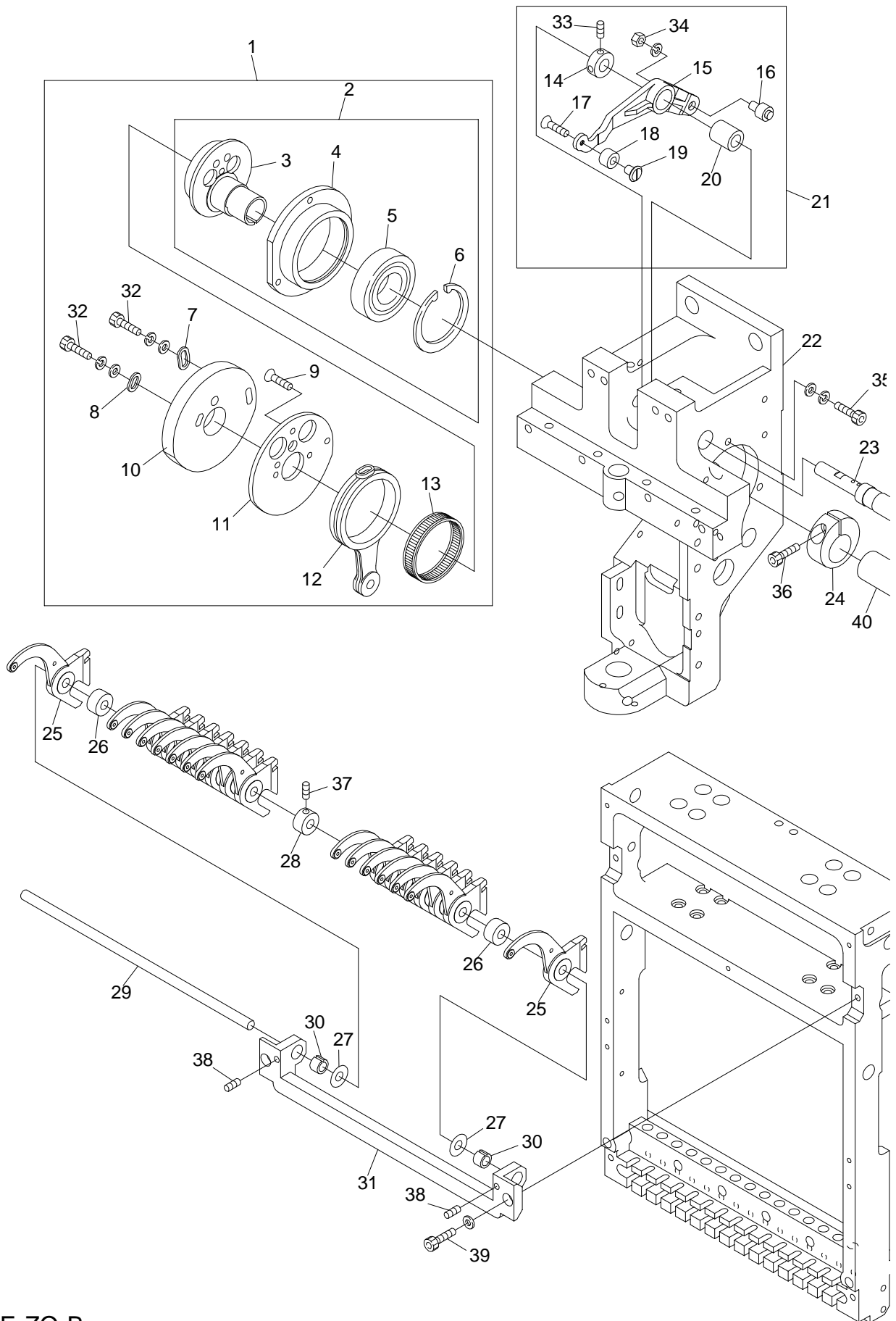
BENYHE-ZQ-B
BENBHE-ZQ-B

02D Thread Cut D

(H=Head Qty.)

| ITEM | LIST NO. | DESCRIPTION | QTY | NOTE |
|------|----------|--|------|------|
| 1. | RD270050 | Thread Support Apron Assembly | Hx1 | |
| 2. | KF230582 | Ceramic Thread Guide | Hx15 | |
| 3. | KX270120 | Thread Support Spring | Hx15 | |
| 4. | KX270090 | Thread Support Clamp | Hx15 | |
| 5. | KX270110 | Thread Support Pin | Hx15 | |
| 6. | KX270100 | Thread Support Block | Hx15 | |
| 7. | KF250220 | Thread Guard Disk | Hx15 | |
| 8. | KF250241 | Thread Hook Spring | Hx3 | |
| 9. | KF250231 | Thread Guard Spring Holder | Hx3 | |
| 10. | KF250250 | Thread Hook Shaft Screw | Hx3 | |
| 11. | KX270340 | Thread Keep Assembly | Hx1 | |
| 12. | LA270070 | Thread Keep Base | Hx1 | |
| 13. | HT230520 | Needle Bar Driver Stopper | Hx1 | |
| 14. | A9012368 | Spacer Roll Bushing (3 x 4 x 2.5 Long) | Hx1 | |
| 15. | KX270360 | Thread Support Push Rod | Hx1 | |
| 16. | KX270320 | Thread Support Push Pin | Hx1 | |
| 17. | KX270290 | Thread Support Lever | Hx1 | |
| 18. | KX270310 | Thread Support Link | Hx1 | |
| 19. | KX270300 | Thread Support Lever Pin | Hx1 | |
| 20. | KX270350 | Thread Support Return Spring | Hx1 | |
| 21. | A9056037 | Thread Keep Solenoid (TDS-K10SL) | Hx1 | |
| 22. | HT270062 | Thread Support Clamp Set Screw | Hx15 | |
| 23. | | Hex Socket Button Screw M3 x 10 | | |
| 24. | | Hex Socket Bolt M4 x 12 | | |
| 25. | | Hex Socket Set Screw M5 x 8 | | |
| 26. | | Hex Socket Set Screw M5 x 6 | | |
| 27. | | Hex Socket Bolt M3 x 6 | | |
| 28. | | Hex Socket Bolt M3 x 8 | | |
| 29. | | Hex Socket Set Screw M4 x 4 | | |
| 30. | A9012127 | E- Ring (3.0 Dia.) | Hx1 | |
| 31. | | Hex Nut M3 | | |
| 32. | KC270101 | Solenoid Pin | Hx1 | |
| 33. | RD270010 | Thread Support Apron | Hx1 | |
| 34. | RD270060 | Thread Support Apron (Thread Guide) | Hx1 | |
| | | | | |
| | | | | |
| | | | | |
| | | | | |
| | | | | |
| | | | | |
| | | | | |
| | | | | |
| | | | | |
| | | | | |

03 TAKE UP LEVER



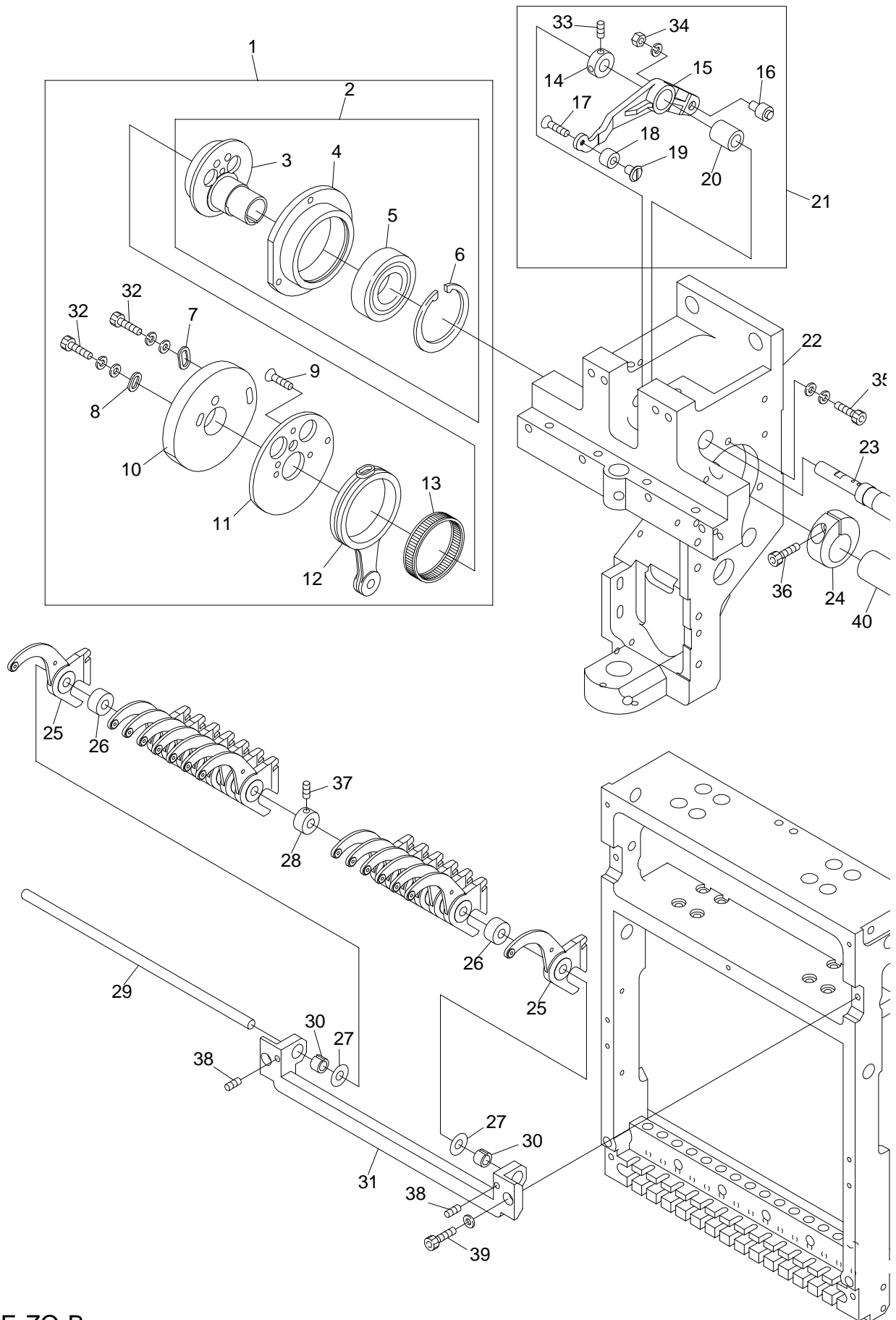
BENYHE-ZQ-B
BENBHE-ZQ-B

03 Take Up Lever

(H=Head Qty.)

| ITEM | LIST NO. | DESCRIPTION | QTY | NOTE |
|------|----------|--|------|-------------|
| 1. | HB230681 | Take Up Lever Needle Bar Driver Assembly | Hx1 | Small Hook |
| | HB230691 | Take Up Lever Needle Bar Driver Assembly | Hx1 | Medium Hook |
| | RN230000 | Take Up Lever Needle Bar Driver Assy. (ZQ5) | Hx1 | Small Hook |
| | RN230060 | Take Up Lever Needle Bar Driver Assy. (ZQ5) | Hx1 | Medium Hook |
| 2. | HB230710 | Needle Bar Driving Cam Assembly | Hx1 | |
| 3. | HB230011 | Needle Bar Driving Cam (Eccentric 9.2) | Hx1 | |
| | RN230020 | Needle Bar Driving Cam (ZQ5) | | |
| 4. | HB230030 | Bearing Case | Hx1 | |
| 5. | A9010017 | Bearing (6004ZZ) | Hx1 | |
| 6. | A9012163 | C-Ring (42.0 Dia.) | Hx1 | |
| 7. | HB230080 | Cam Washer (2) | Hx1 | |
| 8. | HB230070 | Cam Washer (1) | Hx1 | |
| 9. | HB230620 | Flush Pan Screw | Hx3 | |
| 10. | HB230062 | Take Up Lever Cam (H6) | Hx1 | Small Hook |
| | RH230290 | Take Up Lever Cam (H6) (ZQ5) | Hx1 | |
| 11. | HB230051 | Take Up Lever Cam Base | Hx1 | |
| | RH230300 | Take Up Lever Cam Base (ZQ5) | Hx1 | |
| 12. | HB230020 | Needle Bar Crank Rod | Hx1 | |
| | RH230280 | Needle Bar Crank Rod (ZQ5) | Hx1 | |
| 13. | HB230341 | Needle Roller Bearing | Hx1 | |
| | RH230270 | Needle Roller Bearing (ZQ5) | Hx1 | |
| 14. | HB230800 | Driving Shaft Set Collar | Hx1 | |
| 15. | HT230012 | Take Up Lever Driving Lever (YN Bridge) | Hx1 | |
| | RH230311 | Take Up Lever Driving Lever (ZQ5) | Hx1 | |
| 16. | KF230680 | Cam Follower | Hx1 | |
| 17. | HB230650 | Flush Screw (Roller Shaft) | Hx1 | |
| 18. | RD230120 | Take Up Lever Driving Roller (BEMAX) | Hx1 | |
| | RV230060 | Take Up Lever Driving Roller (ZQ5) | Hx1 | |
| 19. | RD230130 | Take Up Lever Driving Roller Shaft (BEMAX) | Hx1 | |
| 20. | HT230890 | Take Up Lever Metal | Hx1 | |
| 21. | RD230290 | Take Up Lever Driving Assembly | Hx1 | |
| | RV230070 | Take Up Lever Driving Assembly (ZQ5) | | |
| 22. | RD230010 | Arm (ZQ-B) | Hx1 | |
| 23. | HT230660 | Take Up Lever Driving Lever Fixing Pin | Hx1 | |
| | RH230320 | Take Up Lever Driving Lever Fixing Pin (ZQ5) | | |
| 24. | HB230040 | Needle Bar Driving Cam Set Collar | Hx1 | |
| | RH230330 | Needle Bar Driving Cam Set Collar (ZQ5) | | |
| 25. | KX230152 | Take Up Lever (ZN/ZQ) | Hx15 | |
| 26. | KX230141 | Take Up Lever Spacer | Hx13 | |
| 27. | KX231310 | Take Up Lever Shim (T= 0.3mm) | Hx2 | |
| 28. | RD230201 | Take Up Lever Space Collar | Hx1 | |
| 29. | RD230080 | Take Up Lever Shaft | Hx1 | |
| | | | | |
| | | | | |

03 TAKE UP LEVER CONT'D



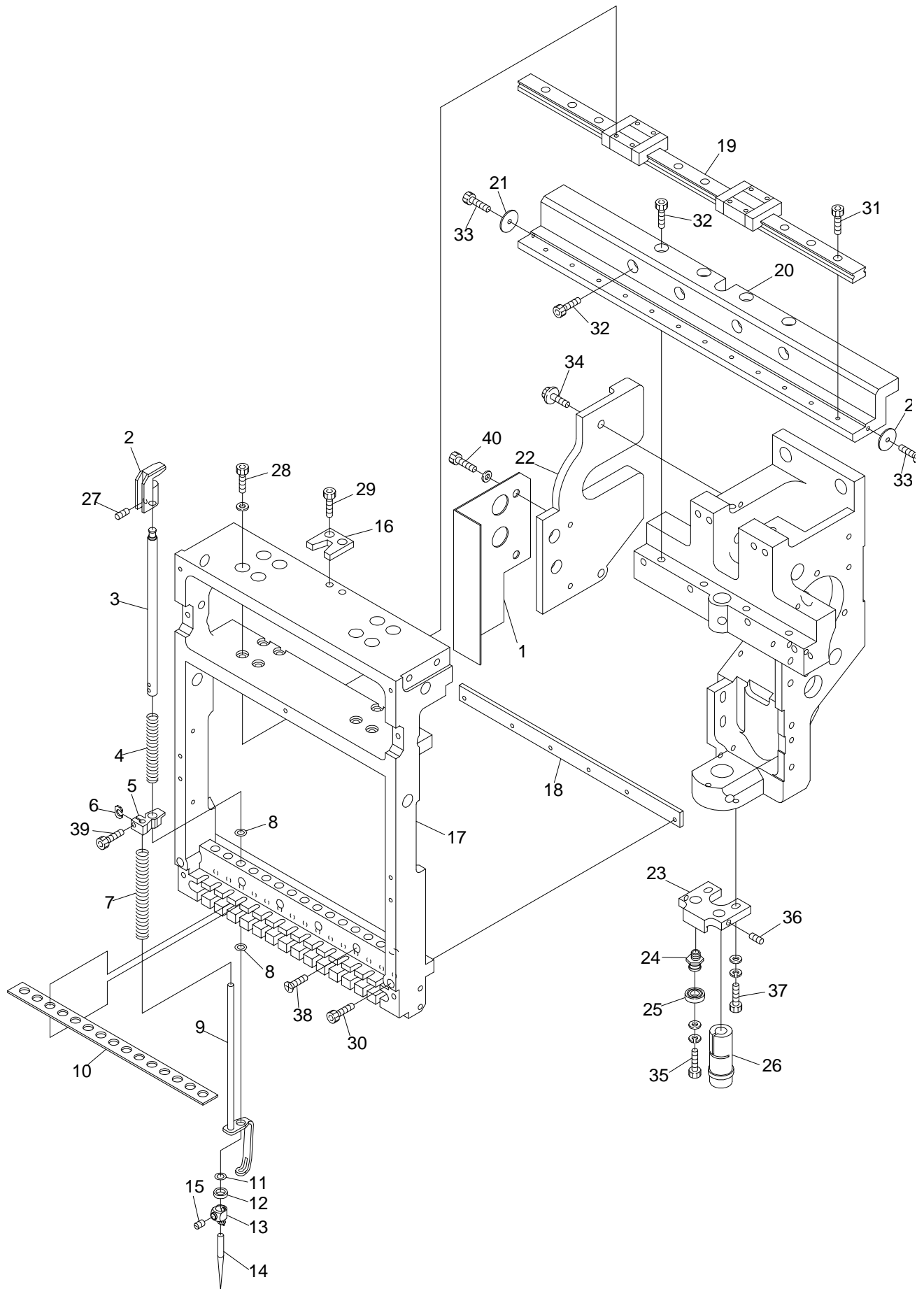
BENYHE-ZQ-B
 BENBHE-ZQ-B

03 Take Up Lever Cont'd

(H=Head Qty.)

| ITEM | LIST NO. | DESCRIPTION | QTY | NOTE |
|------|----------|---|-----|-------------|
| 30. | KX230120 | Take Up Lever Collar | Hx2 | |
| 31. | LA230281 | Take Up Lever Bracket | Hx1 | |
| 32. | | Hex Socket Bolt M4 x 8 | | |
| 33. | | Hex Socket Set Screw M4 x 4 (with Adhesion) | | |
| 34. | KF230501 | Take Up Lever Roller Assembly | Hx1 | |
| 35. | | Hex Socket Bolt M4 x 15 | | |
| 36. | | Hex Socket Bolt M5 x 18 | | |
| 37. | | Hex Socket Set Screw M4 x 4 | | |
| 38. | | Hex Socket Set Screw M4 x 8 | | |
| 39. | | Hex Socket Bolt M4 x 8 (with Washer) | | |
| 40. | KC320113 | Main Shaft (15mm x 2130mm Long) | | Cut Product |
| | RY310010 | Main Shaft (20.0 Dia x 2130 Long) (ZQ5) | | |
| | | | | |
| | | | | |
| | | | | |
| | | | | |
| | | | | |
| | | | | |
| | | | | |
| | | | | |
| | | | | |
| | | | | |
| | | | | |
| | | | | |
| | | | | |
| | | | | |
| | | | | |
| | | | | |
| | | | | |
| | | | | |
| | | | | |
| | | | | |
| | | | | |
| | | | | |
| | | | | |
| | | | | |
| | | | | |
| | | | | |
| | | | | |
| | | | | |
| | | | | |
| | | | | |
| | | | | |
| | | | | |

04A NEEDLE BAR A



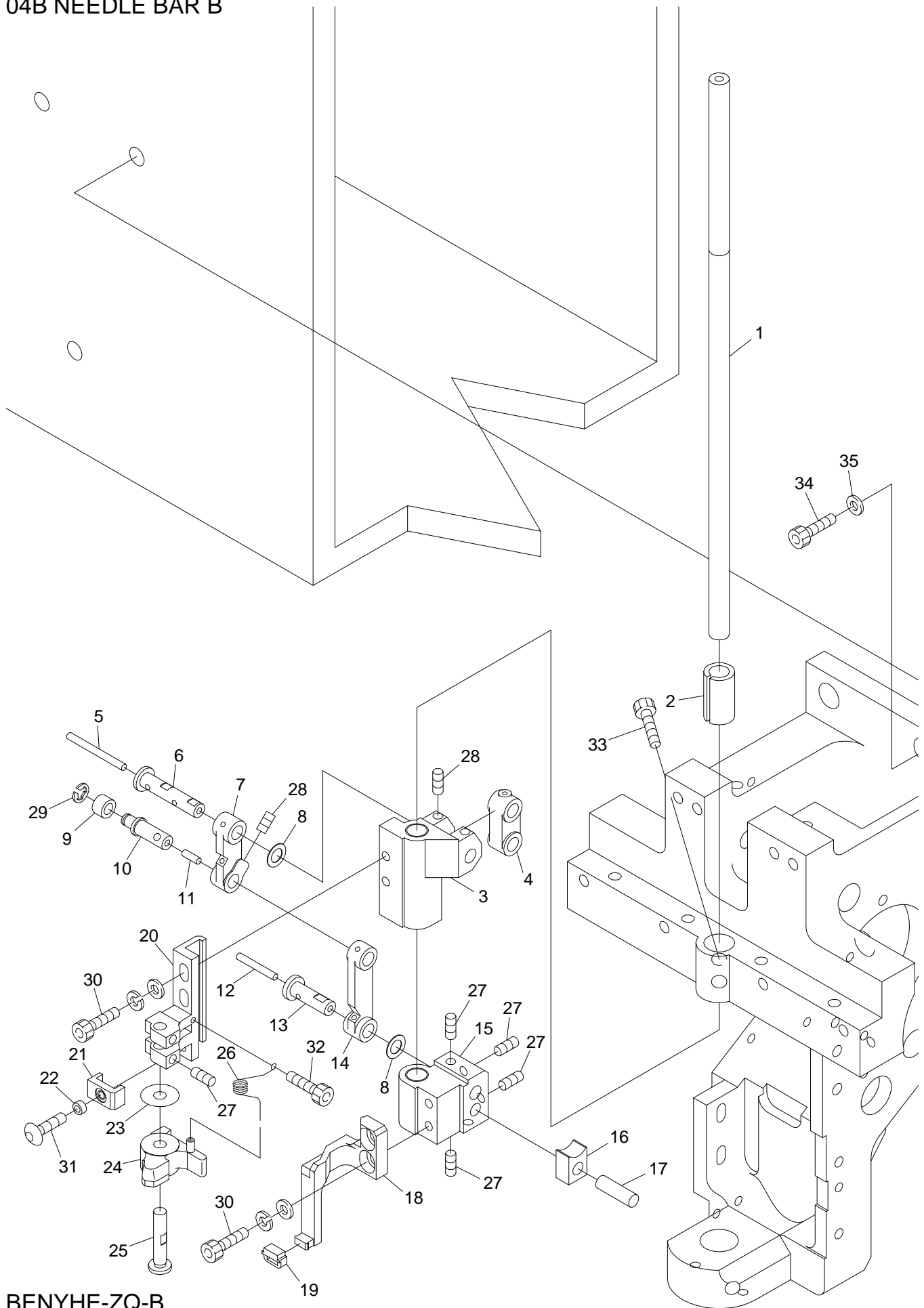
BENYHE-ZQ-B
BENBHE-ZQ-B

04A Needle Bar A

(H=Head Qty.)

| ITEM | LIST NO. | DESCRIPTION | QTY | NOTE |
|------|-------------|--|------|-----------------------|
| 1. | RD250080 | Needle Bar Cover | 1 | Last Head |
| 2. | RD230490 | Needle Bar Guide | Hx15 | |
| 3. | RH230410 | Needle Bar (YN5/ZQ4/ZQ5) | Hx15 | Assembly (RD230480) |
| 4. | KV230040 | Needle Bar Spring, Upper (Thick) | Hx15 | |
| 5. | HT230330 | Presser Foot Set Clamp | Hx15 | |
| 6. | HT230263 | Set Clamp Washer | Hx15 | |
| 7. | KX230251 | Needle Bar Spring, Lower (ZN) | Hx15 | |
| 8. | KF230920 | O-Ring (Large) | Hx30 | |
| 9. | RD230370 | Presser Foot | Hx15 | |
| 10. | RD230070 | Needle Bar Felt | Hx1 | |
| 11. | KF230910 | O-Ring (Small) | Hx15 | |
| 12. | HT230120 | Washer (2.4) | Hx15 | |
| 13. | RH230450 | Needle Clamp (with Hook) | Hx15 | Assembly (RH230440) |
| 14. | FN070011SNY | Needle (DBXK5-NY11S) | Hx15 | |
| 15. | RH230460 | Needle Clamp Screw | Hx15 | |
| 16. | RD230170 | Slide Block Fixing Plate | Hx1 | |
| 17. | RD230042 | Slide Block | Hx1 | Except For First Head |
| | RA230000 | Slide Block | Hx1 | First Head |
| 18. | RD230060 | Bearing Plate | Hx1 | |
| 19. | RD230020 | LM-Guide | Hx1 | |
| 20. | RD230031 | Base Plate | Hx1 | |
| 21. | KX230192 | LM Stopper | Hx2 | |
| 22. | RD230180 | Arm Support Fixing Bracket | Hx1 | |
| 23. | RD230050 | Bearing Guide | Hx1 | |
| 24. | KX230080 | Bearing Pin | Hx1 | |
| 25. | A9010065 | Ball Bearing (686ZZ) | Hx1 | |
| 26. | KX230080 | Drive Shaft Bushing (Lower) | Hx1 | |
| 27. | | Hex Socket Set Screw M4 x 4 | | |
| 28. | | Hex Socket Bolt M3 x 8 | | |
| 29. | | Hex Socket Flat Head Screw M5 x 20 | | |
| 30. | | Hex Socket Bolt M3 x 25 | | |
| 31. | | Hex Socket Bolt M3 x 8 | | |
| 32. | | Hex Socket Bolt M5 x 15 | | |
| 33. | | Hex Socket Button Head Screw M4 x 15 | | |
| 34. | | Hex Socket Flange Bolt M4 x 12 | | |
| 35. | | Hex Socket Bolt M4 x 6 (with Washer) | | |
| 36. | | Hex Socket Dog Point Set Screw M4 x 12 | | |
| 37. | | Hex Socket Bolt M4 x 15 (with Washer) | | |
| 38. | | Hex Socket Flat Head Screw M3 x 25 | | |
| 39. | | Hex Socket Bolt M3 x 8 | | |
| 40. | | Hex Socket Bolt M4 x 10 (with Washer) | | Last Head |
| | | | | |
| | | | | |

04B NEEDLE BAR B



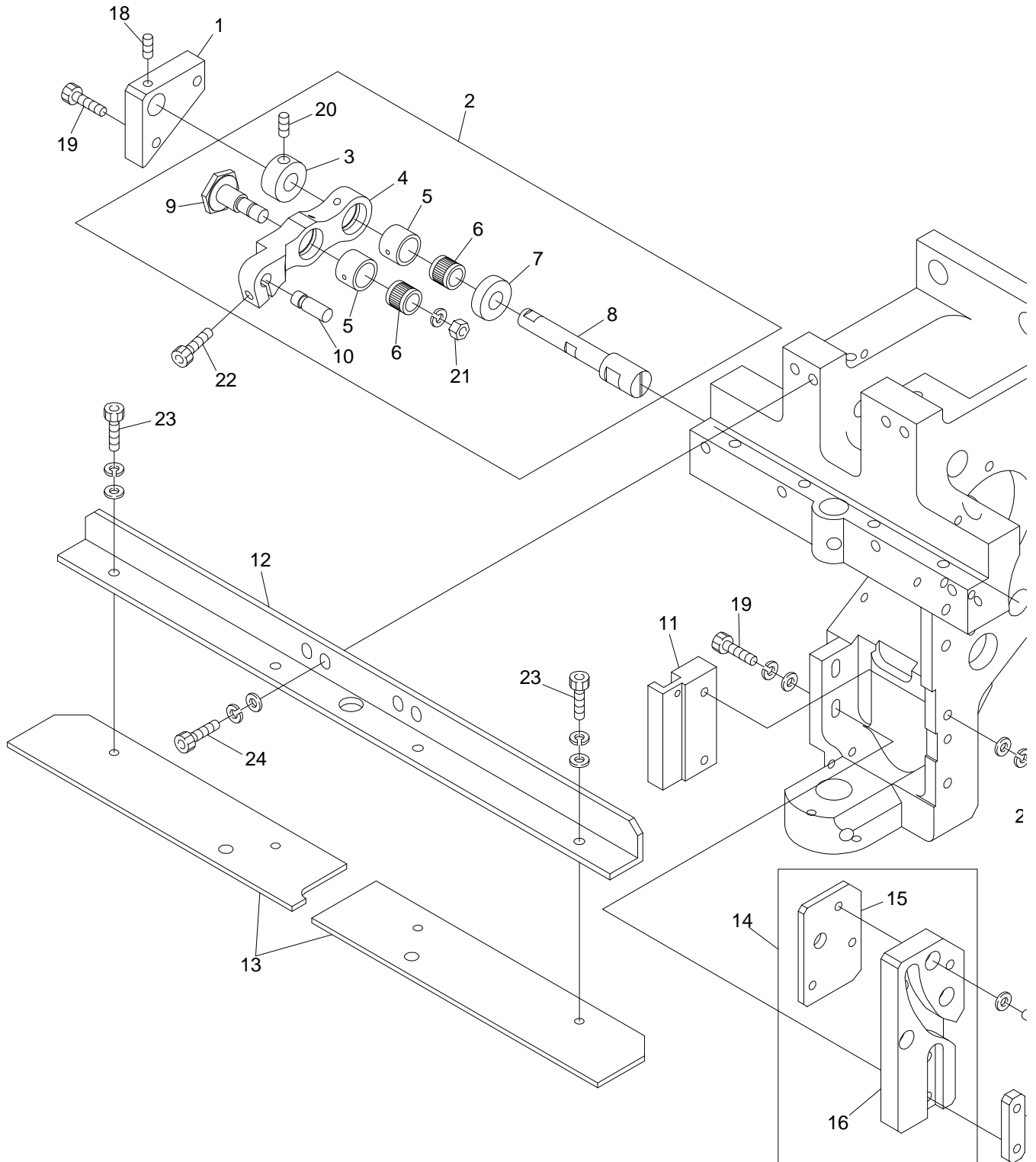
BENYHE-ZQ-B
BENBHE-ZQ-B

04B Needle Bar B

(H=Head Qty.)

| ITEM | LIST NO. | DESCRIPTION | QTY | NOTE |
|------|----------|--|-----|----------------|
| 1. | RD230140 | Driving Shaft | Hx1 | |
| | RV230020 | Driving Shaft (ZQ5) | Hx1 | |
| 2. | RD230150 | Driving Shaft Bushing (Upper) | Hx1 | |
| 3. | HT230510 | Needle Bar Driving Slide Block | Hx1 | |
| 4. | HB230200 | Needle Bar Drive Link | Hx1 | |
| 5. | HT230750 | Oil Core (30mm) | Hx1 | |
| 6. | HT230470 | Link Pin (Small) | Hx1 | |
| 7. | HT230490 | Link (Small) | Hx1 | |
| 8. | HT230730 | Shim Ring (10.0 Dia. T=0.3) | Hx2 | |
| 9. | KF230530 | Roller (Take Up Lever) | Hx1 | |
| 10. | HT230450 | Link Roller Joint Pin | Hx1 | |
| 11. | HT230760 | Oil Core (8mm) | Hx1 | |
| 12. | HT230770 | Oil Core (20mm) | Hx1 | |
| 13. | HT230460 | Link Pin (Large) | Hx1 | |
| 14. | HT230480 | Link (Large) | Hx1 | |
| 15. | HT230500 | Set Slide Block | Hx1 | |
| 16. | HP231370 | Square Ball | Hx1 | |
| 17. | HT230320 | Square Ball Pin | Hx1 | |
| 18. | RD230390 | Presser Foot Support (ZQ4) | Hx1 | NYHE/NBHE-ZQ-B |
| | RR230030 | Presser Foot Support (ZQ5) | | |
| 19. | HT230340 | Presser Foot Support Rubber | Hx2 | |
| 20. | HT230290 | Needle Bar Driver Fixing Base (YN2/ZQ-B) | Hx1 | |
| 21. | HT230520 | Needle Bar Driver Stopper | Hx1 | |
| 22. | A9012368 | Spacer (3 x 4 x 2.5 Long) | Hx1 | |
| 23. | RH230550 | Shim Ring | Hx1 | |
| 24. | RH230540 | Needle Bar Driver | Hx1 | NYHE/NBHE-ZQ-B |
| 25. | HT230280 | Needle Bar Driver Pin | Hx1 | |
| 26. | HT230560 | Needle Bar Driver Return Spring | Hx1 | |
| 27. | | Hex Socket Set Screw M4 x 4 (with Nylon) | | |
| 28. | | Hex Socket Set Screw M4 x 6 (with Nylon) | | |
| 29. | | E-Ring (3.0 Dia.) | | |
| 30. | | Hex Socket Bolt M4 x 12 (with Washers) | | |
| 31. | | Hex Socket Button Head Bolt M3 x 6 | | |
| 32. | | Hex Socket Bolt M4 x 6 (with Washer) | | |
| 33. | | Hex Socket Bolt M5 x 20 | | |
| 34. | | Hex Socket Bolt M5 x 20 | | |
| 35. | | Disk Spring M8 | | |
| | | | | |
| | | | | |
| | | | | |
| | | | | |
| | | | | |
| | | | | |
| | | | | |
| | | | | |
| | | | | |

04C NEEDLE BAR C



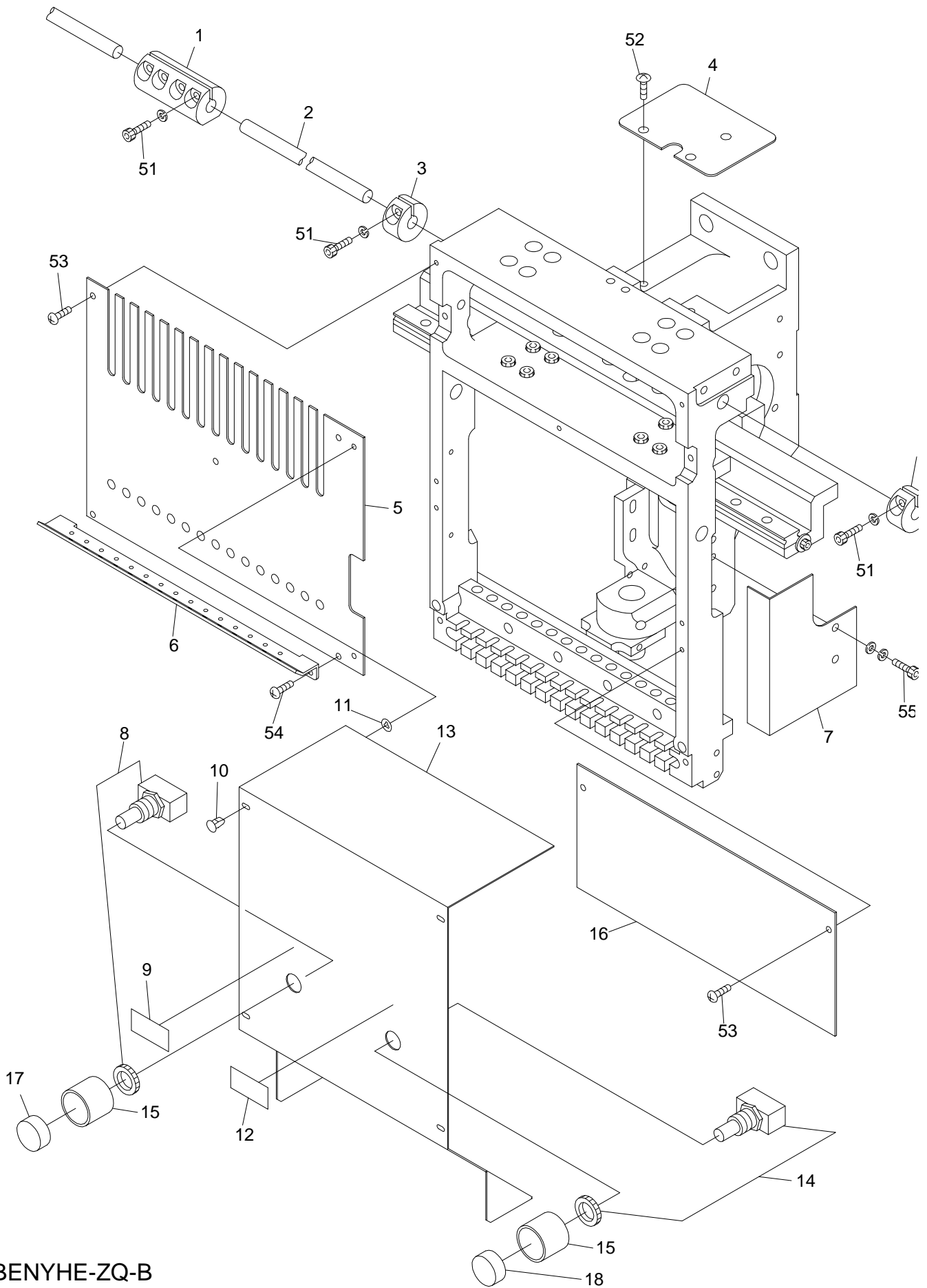
BENYHE-ZQ-B
BENBHE-ZQ-B

04C Needle Bar C

(H=Head Qty.)

| ITEM | LIST NO. | DESCRIPTION | QTY | NOTE |
|------|----------|--|-----|------|
| 1. | HT230590 | Lever Pin Block | Hx1 | |
| 2. | HT230930 | Needle Bar Driving Lever Assembly | Hx1 | |
| 3. | HB230271 | Needle Bar Driving Lever Fixing Collar | Hx1 | |
| 4. | HB230241 | Needle Bar Driving Lever | Hx1 | |
| 5. | HB230350 | Outer Ring (OR11x14x10x11) | Hx2 | |
| 6. | HB230361 | Needle Roller Retainer (KV8x11x10SV2) | Hx2 | |
| 7. | HB230281 | Needle Bar Driving Lever Fixing Pin Collar | Hx1 | |
| 8. | HT230410 | Needle Bar Driving Lever Fixing Pin | Hx1 | |
| 9. | HB230261 | Needle Bar Driving Lever Connecting Pin | Hx1 | |
| 10. | HB230220 | Needle Bar Driving Lever Pin | Hx1 | |
| 11. | HT230420 | Guide Plate | Hx1 | |
| 12. | RD230100 | Take Up Lever Stocker Base | Hx1 | |
| 13. | RD230160 | Take Up Lever Stocker | Hx1 | |
| | RV230180 | Take Up Lever Stocker (ZQ5) | | |
| 14. | HT230610 | Presser Foot Cam Assembly | Hx1 | |
| 15. | HT230600 | Cam Back Plate | Hx1 | |
| 16. | HT230720 | Presser Foot Cam (K2) | Hx1 | |
| 17. | HT230380 | Cap Tap Plate | Hx1 | |
| 18. | | Hex Socket Set Screw M4 x 4 (with Nylon) | Hx1 | |
| 19. | | Hex Socket Bolt M4 x 15 (with Washers) | | |
| 20. | | Hex Socket Set Screw M5 x 5 | | |
| 21. | | Hex Nut M6 | | |
| 22. | | Hex Socket Bolt M4 x 14 (with Adhesive) | | |
| 23. | | Hex Socket Bolt M4 x 8 | | |
| 24. | | Hex Socket Bolt M5 x 15 | | |
| 25. | | Hex Socket Bolt M4 x 18 | | |
| 26. | | Hex Socket Bolt M4 x 8 | | |
| | | | | |
| | | | | |
| | | | | |
| | | | | |
| | | | | |
| | | | | |
| | | | | |
| | | | | |
| | | | | |
| | | | | |
| | | | | |
| | | | | |
| | | | | |
| | | | | |
| | | | | |
| | | | | |
| | | | | |

04D NEEDLE BAR D



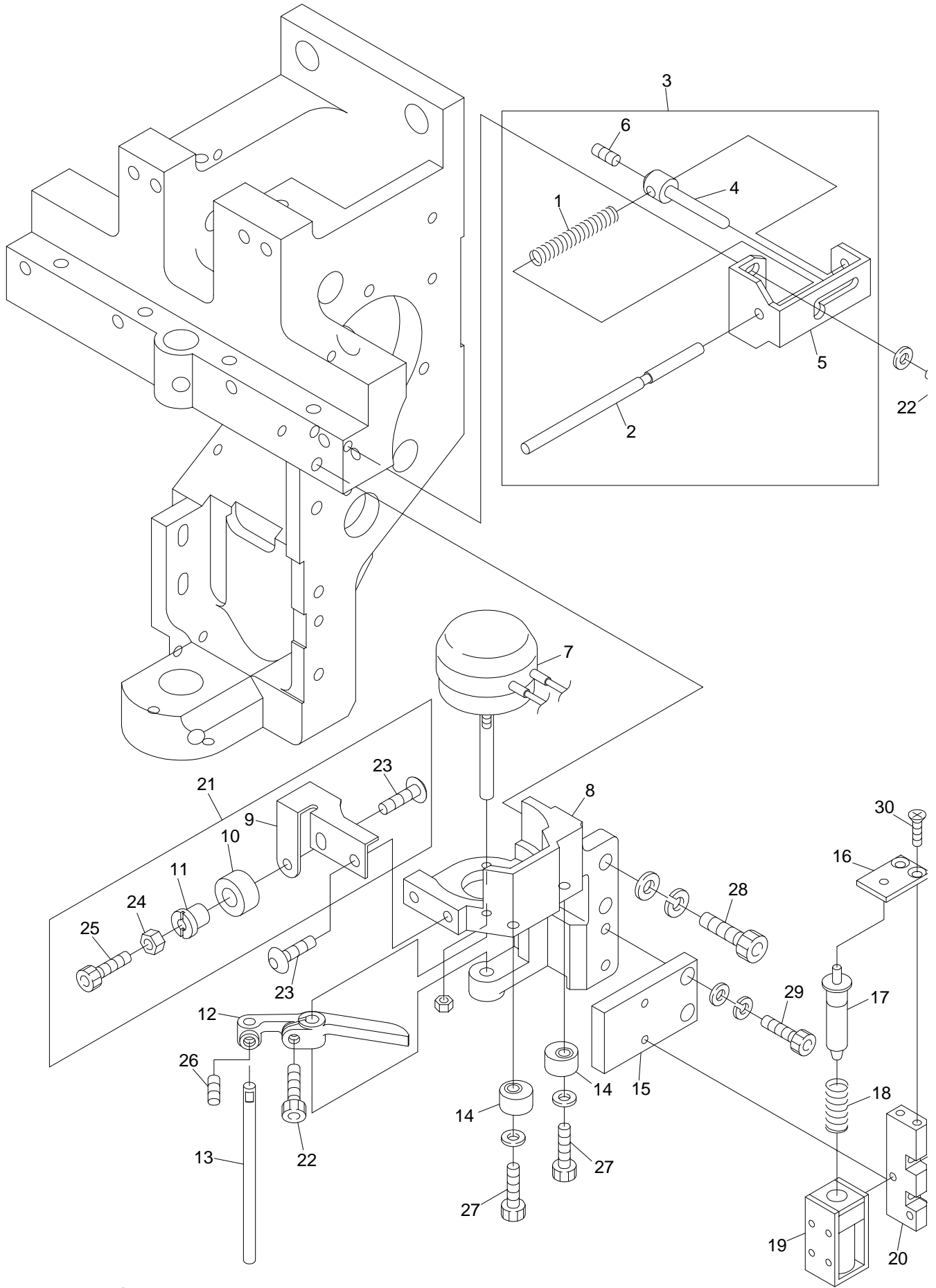
BENYHE-ZQ-B
BENBHE-ZQ-B

04D Needle Bar D

(H=Head Qty.)

| ITEM | LIST NO. | DESCRIPTION | QTY | NOTE |
|------|----------|--|-------|------------|
| 1. | KX330010 | Rod Joint | 2 | |
| 2. | A100276 | Connecting Rod (8mm x 900mm) | 2 | |
| 3. | KX230240 | Needle Change Collar (ZN) | Hx2 | |
| 4. | RD250180 | Arm Top Cover | Hx1 | |
| | RV250070 | Arm Top Cover (ZQ5) | | |
| 5. | RD250010 | Front Cover, Upper | H-2 | |
| | RD250020 | Front Cover, Upper (First Head) | 1 | |
| | RD250030 | Front Cover, Upper (Last Head) | 1 | |
| 6. | RD240271 | Thread Hanger, ZQ (with Ceramic) | Hx1 | |
| 7. | RD250070 | Side Cover (Right) | Hx1 | First Head |
| 8. | A9052080 | Push Button Switch (Green) | 2 | |
| 9. | A9019009 | Start Switch Label | 2 | |
| 10. | A9014154 | Canoe Clip (TL-180-2) | 6xH-4 | |
| 11. | A9014155 | Washer (TM-147-1) | 6xH-4 | |
| 12. | A9019003 | Stop Switch Label | 2 | |
| 13. | RA130280 | Cover Between Heads (520) | 1 | 4 Head |
| | RA130250 | Cover Between Heads (380) | 3 | 6 Head |
| | RQ250000 | Cover Between Heads (on /off switch) (520) | 2 | 4 Head |
| | RQ250010 | Cover Between Heads (on /off switch) (380) | 2 | 6 Head |
| 14. | A9052081 | Push Button Switch (Red) | 2 | |
| 15. | A110004 | Switch Bezel | 2 | |
| 16. | RD250040 | Front Cover, Lower | Hx1 | |
| 17. | B250011 | Green Button | | |
| 18. | B250010 | Red Button | | |
| 51. | | Hex Socket Bolt M4 x 16 (with Spring Washer) | | |
| 52. | | Hex Socket Truss Head Screw M5 x 6 | | |
| 53. | | Phillips Pan Head Screw M3 x 6 | | |
| 54. | | Phillips Pan Head Screw M3 x 8 | | |
| 55. | | Hex Socket Bolt M4 x 5 | | |
| | | | | |
| | | | | |
| | | | | |
| | | | | |
| | | | | |
| | | | | |
| | | | | |
| | | | | |
| | | | | |
| | | | | |
| | | | | |
| | | | | |
| | | | | |
| | | | | |

05 JUMP



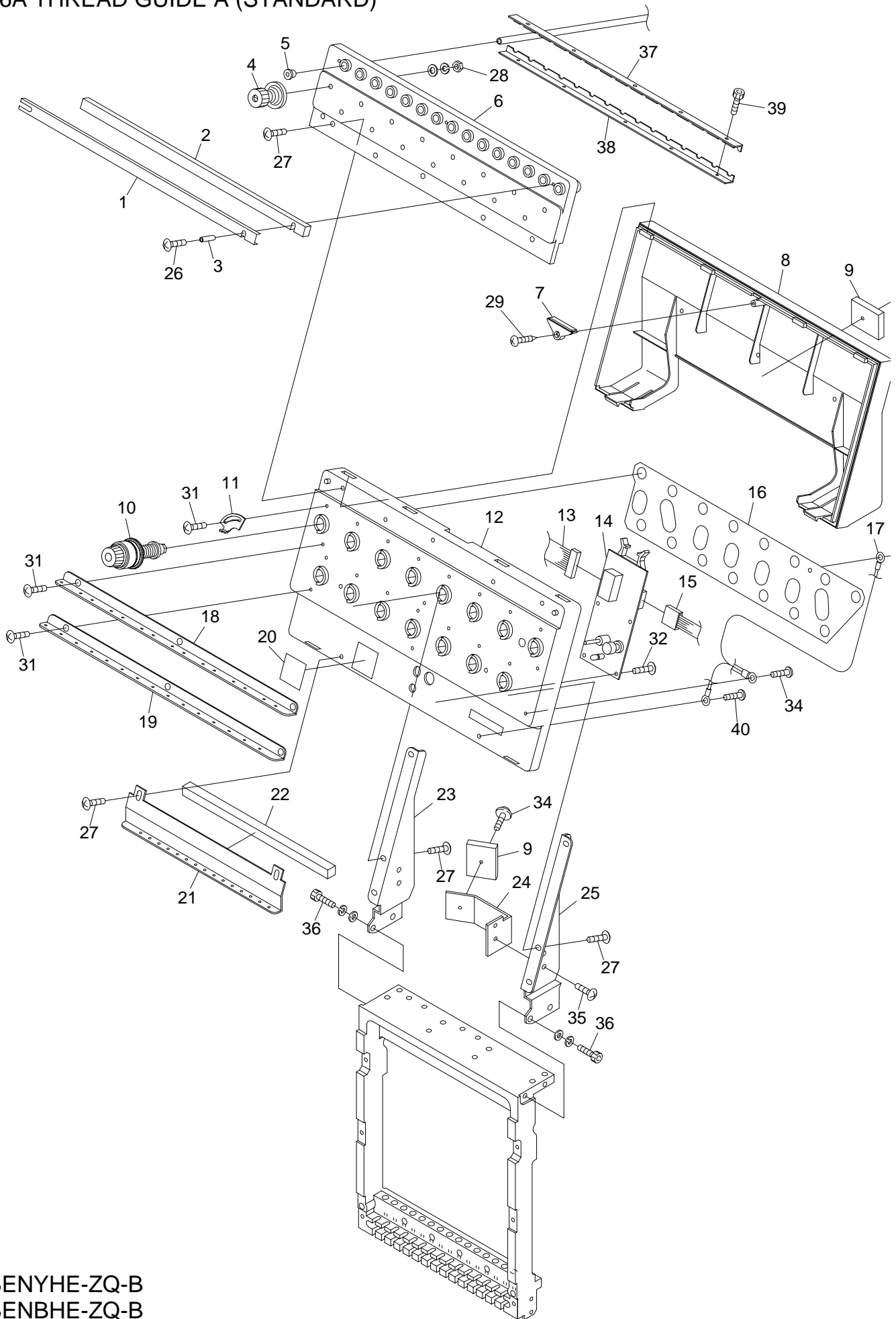
BENYHE-ZQ-B
BENBHE-ZQ-B

05 Jump

(H=Head Qty.)

| ITEM | LIST NO. | DESCRIPTION | QTY | NOTE |
|------|----------|---|-----|------|
| 1. | HB240110 | Cancel Return Spring | Hx1 | |
| 2. | HT240570 | Cancel Rod | Hx1 | |
| 3. | HT240760 | Manual Cancel Assembly | Hx1 | |
| 4. | HT240580 | Manual Cancel Pin | Hx1 | |
| 5. | HT240590 | Cancel Bracket | Hx1 | |
| 6. | | Hex Socket Set Screw M4 x 4 (Flat Point) | Hx1 | |
| 7. | A9056027 | Rotary Solenoid, Jump (M960372R)(ETL) | Hx1 | |
| 8. | RD230250 | Jump Solenoid Fixing Bracket | Hx1 | |
| 9. | RD230191 | Needle Bar Stopper Fixing Bracket (BEMAX) | Hx1 | |
| 10. | HT230220 | Needle Bar Stopper | Hx1 | |
| 11. | HT230620 | Needle Bar Stopper Fixing Pin | Hx1 | |
| 12. | HB240020 | Jump Solenoid Lever | Hx1 | |
| 13. | HB240030 | Jump Solenoid Lever Pin | Hx1 | |
| 14. | HB240041 | Jump Eccentric | Hx2 | |
| 15. | RD230210 | Keep Solenoid Fixing Plate | Hx1 | |
| 16. | RD230220 | Plunger Guide | Hx1 | |
| 17. | HB560080 | Solenoid Plunger Assembly | Hx1 | |
| 18. | HB560060 | Keep Solenoid Spring | Hx1 | |
| 19. | HB560072 | Cancel Solenoid (TDS-K07A 24V) | Hx1 | |
| 20. | HB560020 | Keep Solenoid Fixing Block | Hx1 | |
| 21. | RD230340 | Needle Bar Stopper Assembly (BEMAX) | Hx1 | |
| 22. | | Hex Socket Bolt M4 x 8 | | |
| 23. | | Hex Socket Button Head Bolt M4 x 8 | | |
| 24. | | Hex Nut M4 | | |
| 25. | | Hex Socket Bolt M4 x 10 | | |
| 26. | | Hex Socket Set Screw M4 x 4 (with Adhesion) | | |
| 27. | | Hex Socket Bolt M4 x 12 (with Washer) | | |
| 28. | | Hex Socket Bolt M5 x 18 | | |
| 29. | | Hex Socket Bolt M4 x 12 | | |
| 30. | | Hex Socket Flat Head Screw M3 x 8 | | |
| 31. | | Hex Socket Bolt M2.6 x 6 | | |
| 32. | | Hex Socket Bolt M3 x 12 | | |
| | | | | |
| | | | | |
| | | | | |
| | | | | |
| | | | | |
| | | | | |
| | | | | |
| | | | | |
| | | | | |
| | | | | |
| | | | | |
| | | | | |
| | | | | |
| | | | | |
| | | | | |
| | | | | |

06A THREAD GUIDE A (STANDARD)



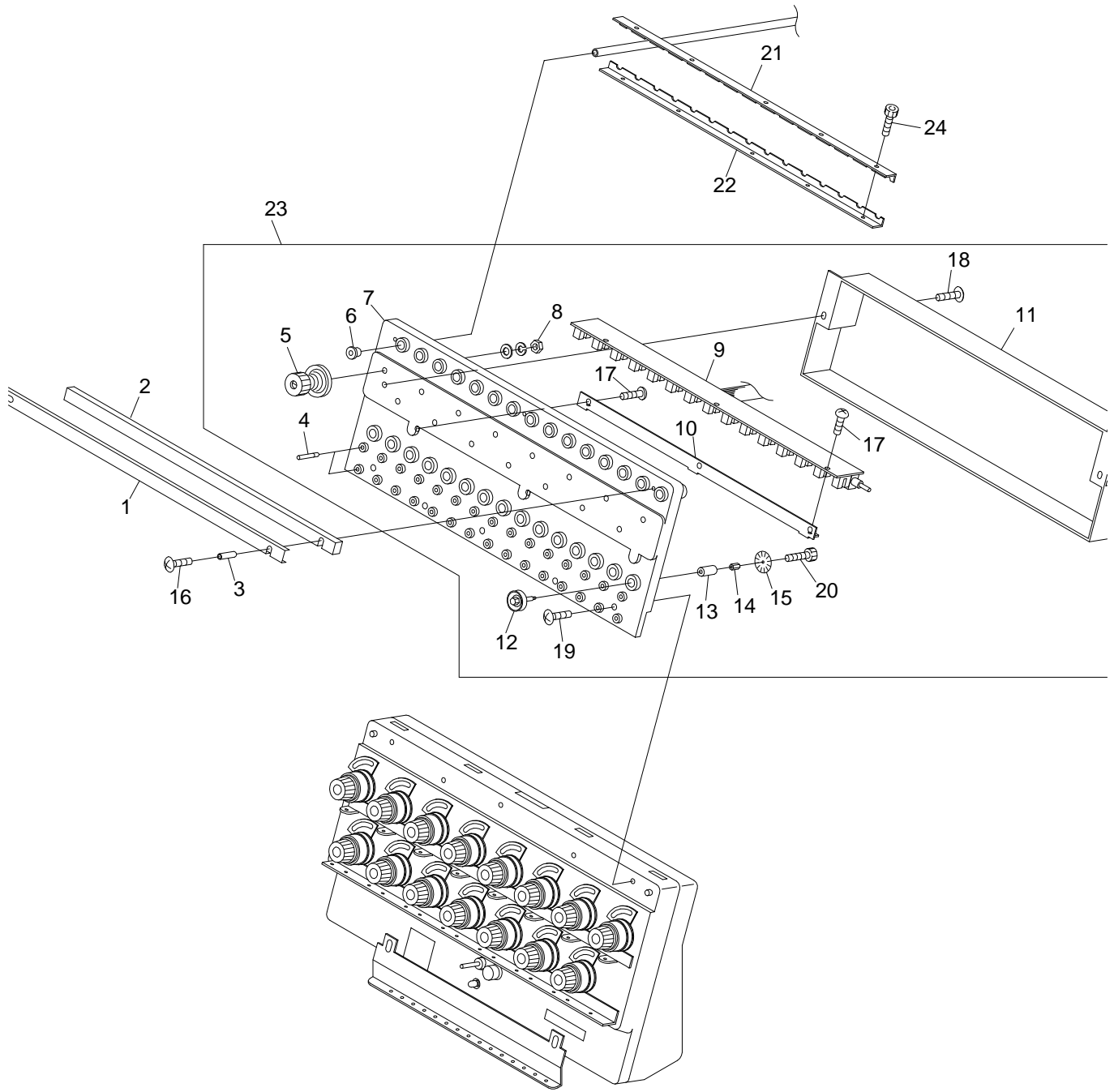
BENYHE-ZQ-B
BENBHE-ZQ-B

06A Thread Guide A (Standard)

(H=Head Qty.)

| ITEM | LIST NO. | DESCRIPTION | QTY | NOTE |
|------|----------|--|------|------|
| 1. | RD240291 | Felt Frame | Hx1 | |
| 2. | RD240301 | Felt | Hx1 | |
| 3. | A9012412 | Spacer (3.0 Dia. x 17.0) | Hx2 | |
| 4. | RD240320 | First Thread Tension Assembly (ZQ-A) | Hx15 | |
| 5. | HT240480 | Thread Guide Eyelet (White) | Hx15 | |
| 6. | RD240280 | Thread Tension Base | Hx1 | |
| 7. | HT240240 | Blind Cap | Hx1 | |
| 8. | RD240030 | Tension Base Cover | Hx1 | |
| 9. | A9068032 | Clamp (FCW-26) | Hx2 | |
| 10. | RD240153 | Dial Thread Tension Unit Complete (BEMAX) | Hx15 | |
| 11. | RD240111 | Thread Spring Adjusting Plate | Hx15 | |
| 12. | RD240022 | Tension Base Case Assembly | Hx1 | |
| 13. | EBY01690 | H1899 Cable | Hx1 | |
| 14. | EBY01940 | 4640 Head Switch Board with Cable (BEMAX) | Hx1 | |
| 15. | EBY01700 | H1900 Additional Cable | Hx1 | |
| 16. | RD240121 | Tension Ground Plate | Hx1 | |
| 17. | A9053077 | Tension Base Ground Cable (ZQ) | Hx1 | |
| 18. | RD240330 | First Thread Guide Plate (ZQ-A) | Hx1 | |
| 19. | RD240340 | Second Thread Guide Plate (ZQ-A) | Hx1 | |
| 20. | | Number Label | Hx1 | |
| 21. | RD240051 | Second Thread Guide | Hx1 | |
| 22. | RD240130 | Sponge Rubber | Hx1 | |
| 23. | RD240171 | Tension Base Mounting Bracket (L) | Hx1 | |
| 24. | RD240090 | Cable Holder | Hx1 | |
| 25. | RD240181 | Tension Base Mounting Bracket (R) | Hx1 | |
| 26. | | Phillips Truss Head Screw M3 x 25 | | |
| 27. | | Phillips Truss Head Screw M4 x 10 | | |
| 28. | | Hex Nut (SM11/64-40) | | |
| 29. | | Tapping Screw M3 x 12 | | |
| 30. | | Tapping Pan Head Screw M3 x 25 | | |
| 31. | | Phillips Truss Head Screw M3 x 5 | | |
| 32. | | Phillips Truss Head Screw M3 x 6 | | |
| 33. | | Phillips Pan Head Screw M3 x 6 | | |
| 34. | | Phillips Pan Head Screw (w/ Washer) M3 x 6 | | |
| 35. | | Phillips Truss Head Screw M4 x 6 | | |
| 36. | | Hex Socket Bolt M5 x 16 | | |
| 37. | RD240430 | Tube Holder (Upper) | Hx1 | |
| 38. | RD240440 | Tube Holder (Lower) | Hx1 | |
| 39. | | Hex Socket Bolt M3 x 15 | | |
| 40. | | Phillips Pan Head Screw M4 x 6 | | |
| | | | | |
| | | | | |
| | | | | |
| | | | | |

06B THREAD GUIDE B (UTSM)



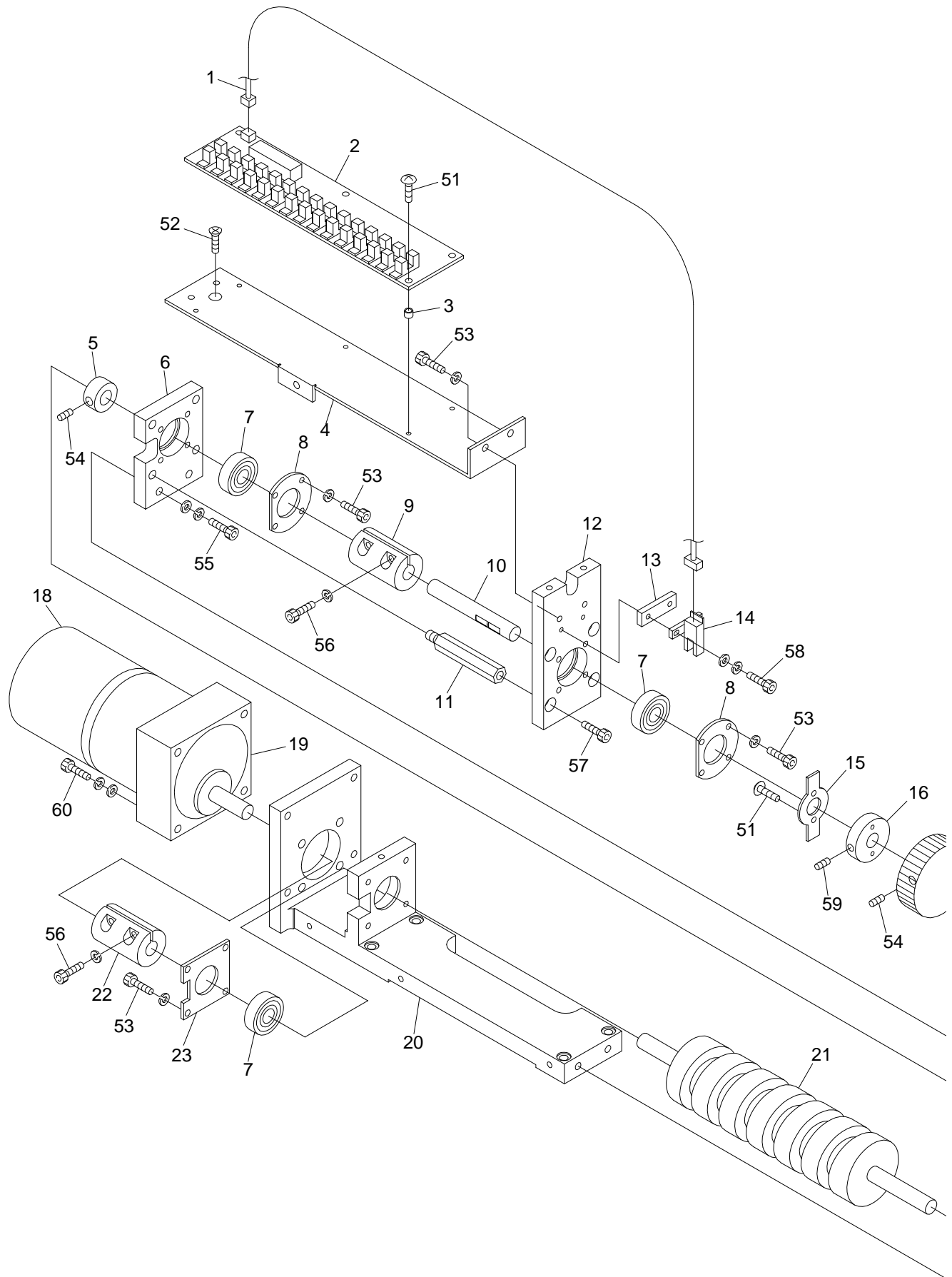
BENYHE-ZQ-B
BENBHE-ZQ-B

06B Thread Guide B (UTSM)

(H=Head Qty.)

| ITEM | LIST NO. | DESCRIPTION | QTY | NOTE |
|------|----------|--------------------------------------|------|------|
| 1. | RD240291 | Felt Frame | Hx1 | |
| 2. | RD240301 | Felt | Hx1 | |
| 3. | A9012412 | Spacer (3.0 Dia. x 17.0) | Hx2 | |
| 4. | HT240300 | Thread Guide Pin | Hx30 | |
| 5. | RD240320 | First Thread Tension Assembly (ZQ-A) | Hx15 | |
| 6. | HT240480 | Thread Guide Eyelet (White) | Hx15 | |
| 7. | RD540010 | UTSM Base | Hx1 | |
| 8. | | Hex Nut (SM11/64-40) | | |
| 9. | EBY01720 | 4680 UTSM Board with Cable | Hx1 | |
| 10. | RD540060 | UTSM Board Bracket | Hx1 | |
| 11. | RD540050 | UTSM Board Cover | Hx1 | |
| 12. | HT240290 | Tension Wheel | Hx15 | |
| 13. | HT240310 | Tension Wheel Bearing | Hx15 | |
| 14. | KN540510 | Tension Wheel Nut | Hx15 | |
| 15. | HT240100 | UTSM Disk (YN) | Hx15 | |
| 16. | | Truss Screw M3x25 | | |
| 17. | | Pan Screw M3x6 | | |
| 18. | | Truss Screw M3x6 | | |
| 19. | | Truss Screw M4x10 | | |
| 20. | | Hex Socket Bolt M2x3 | | |
| 21. | RD240430 | Tube Holder (Upper) | Hx1 | |
| 22. | RD240440 | Tube Holder (Lower) | Hx1 | |
| 23. | RD540090 | UTSM Assembly (ZQ) | Hx1 | |
| 24. | | Hex Socket Bolt M3x15 | | |
| | | | | |
| | | | | |
| | | | | |
| | | | | |
| | | | | |
| | | | | |
| | | | | |
| | | | | |
| | | | | |
| | | | | |
| | | | | |
| | | | | |
| | | | | |
| | | | | |
| | | | | |
| | | | | |
| | | | | |
| | | | | |
| | | | | |
| | | | | |
| | | | | |
| | | | | |
| | | | | |

07A COLOR CHANGE A

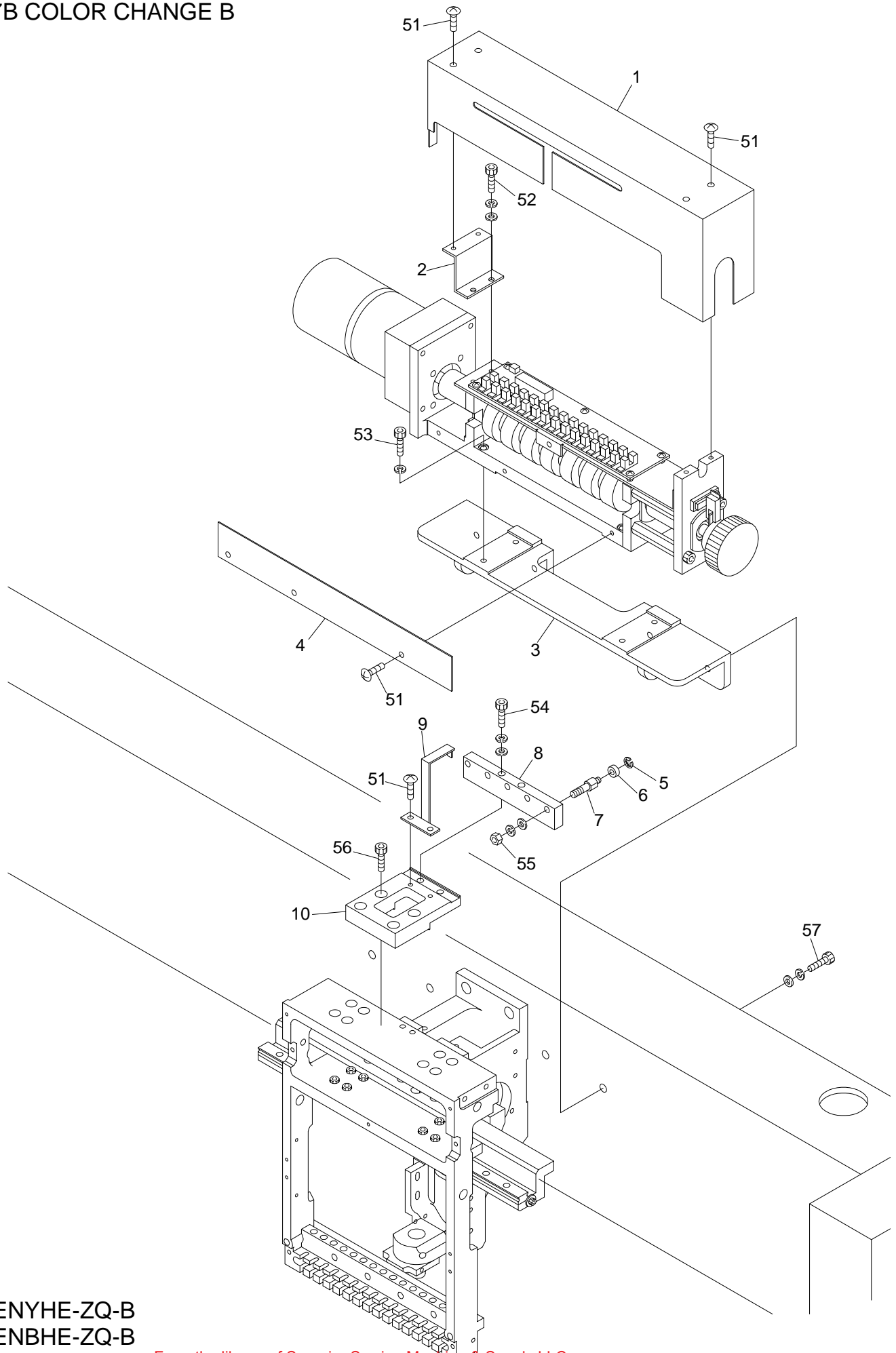


BENYHE-ZQ-B
BENBHE-ZQ-B

07A Color Change A

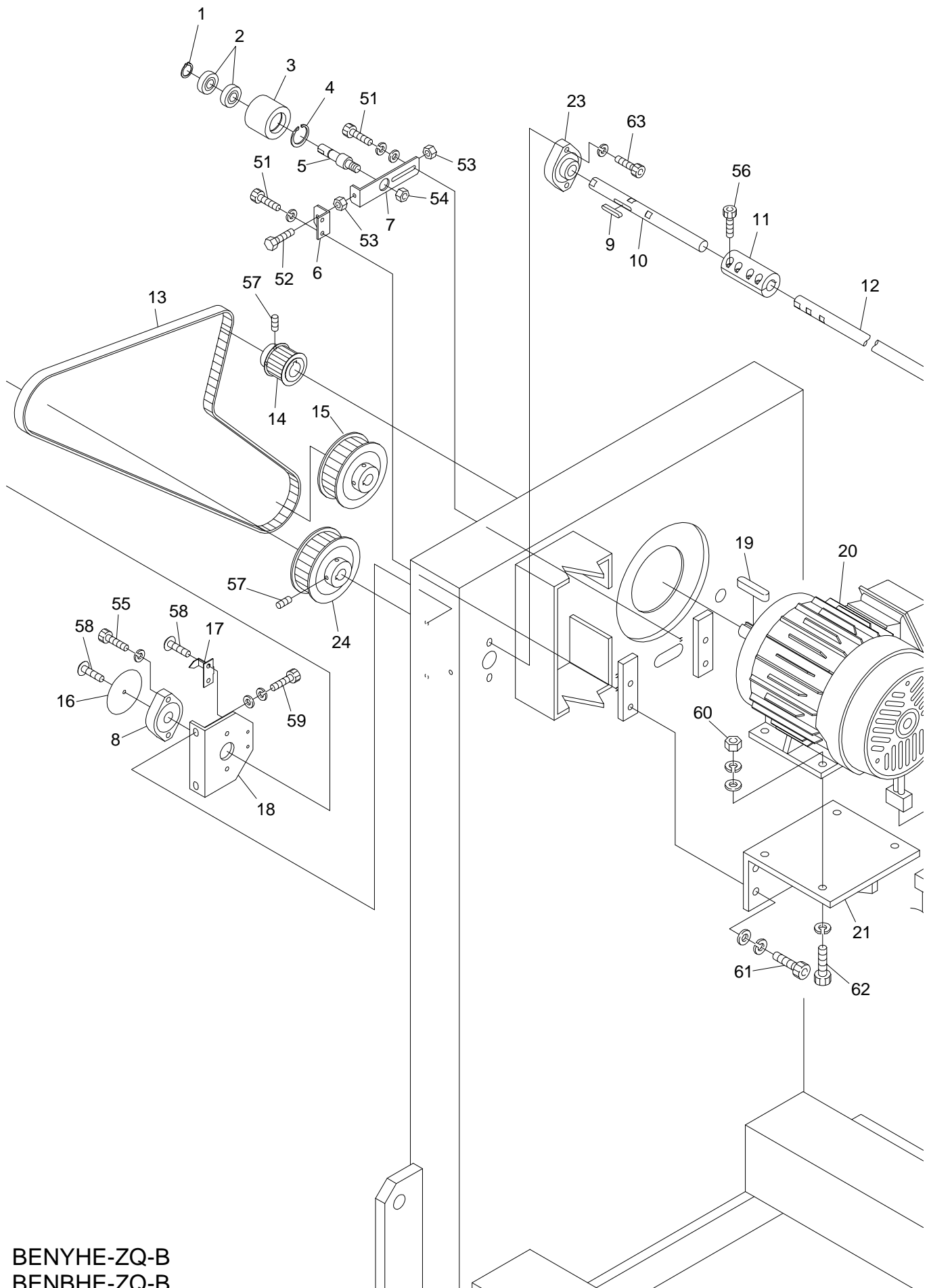
| ITEM | LIST NO. | DESCRIPTION | QTY | NOTE |
|------|----------|--|-----|------|
| 1. | A9053079 | Lock Sensor Cable (ZN/ZQ) | 1 | |
| 2. | EBY01650 | 3772 Color Change Board (ZQ) | 1 | |
| 3. | A9012208 | Spacer, Roll Bushing (5.0 Dia. x 4.0) | 5 | |
| 4. | RQ330030 | Color Change Board Base Plate | 1 | |
| 5. | KX330120 | Bearing Collar | 1 | |
| 6. | LA330060 | Color Change Side Plate (ZQ-A) | 1 | |
| 7. | A9010062 | Bearing (6000ZZ) | 3 | |
| 8. | RD330070 | Bearing Plate (2) | 2 | |
| 9. | RD330020 | Motor Coupling | 1 | |
| 10. | RD330040 | Connecting Shaft | 1 | |
| 11. | RD330050 | Stud Bolt | 4 | |
| 12. | RD330121 | Color Change Top Plate | 1 | |
| 13. | KX330250 | Sensor Spacer | 1 | |
| 14. | A9060063 | Micro Sensor (EE-SX672A Omron) | 1 | |
| 15. | KX330271 | Lock Sensor Dock | 1 | |
| 16. | KC330170 | Detection Plate Collar | 1 | |
| 17. | KC330130 | Manual Knob | 1 | |
| 18. | A9065092 | Reversible Color Change Motor (3RJ10GB-AUL-E4) | 1 | |
| 19. | A9065093 | Gear Head (3GB18K) | 1 | |
| 20. | RQ330010 | Color Change Base | 1 | |
| 21. | RD330150 | Color Change Cam | 1 | |
| 22. | RD330030 | Coupling | 1 | |
| 23. | RD330060 | Bearing Plate (1) | 1 | |
| 51. | | Phillips Truss Head Truss Screw M3x8 | | |
| 52. | | Hex Socket Flat Head Screw M4x6 | | |
| 53. | | Hex Socket Bolt M4x10 | | |
| 54. | | Hex Socket Set Screw M6x6 | | |
| 55. | | Hex Socket Bolt M5x25 | | |
| 56. | | Hex Socket Bolt M4x15 | | |
| 57. | | Hex Socket Bolt M5x15 | | |
| 58. | | Hex Socket Bolt M3x16 | | |
| 59. | | Hex Socket Set Screw M5x10 | | |
| 60. | | Hex Socket Bolt M4x60 | | |
| | | | | |
| | | | | |
| | | | | |
| | | | | |
| | | | | |
| | | | | |
| | | | | |
| | | | | |
| | | | | |
| | | | | |
| | | | | |
| | | | | |
| | | | | |
| | | | | |
| | | | | |
| | | | | |

07B COLOR CHANGE B



BENYHE-ZQ-B
BENBHE-ZQ-B

08A DRIVE A

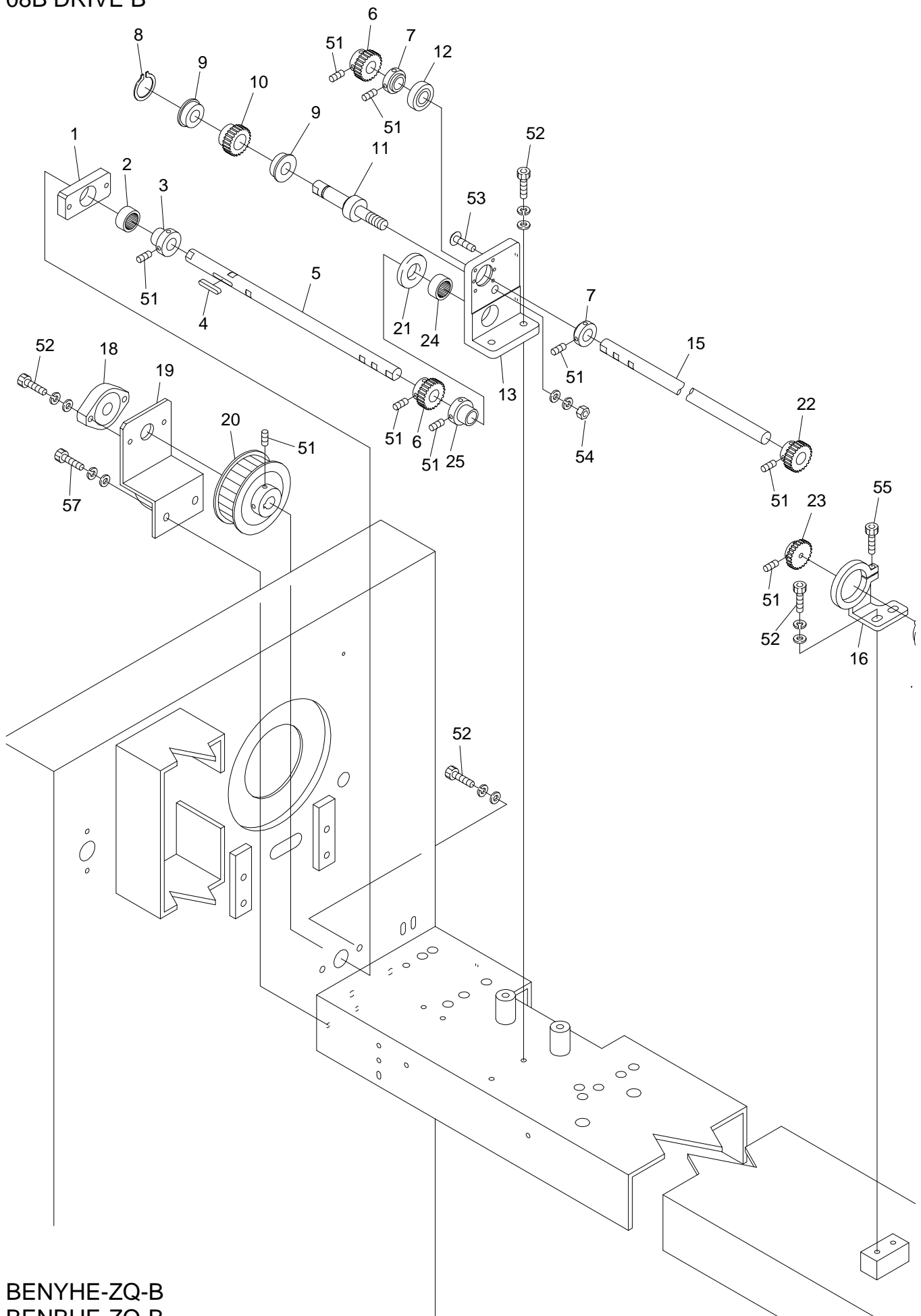


BENYHE-ZQ-B
BENBHE-ZQ-B

08A Drive A

| ITEM | LIST NO. | DESCRIPTION | QTY | NOTE |
|------|----------|---|-----|--------|
| 1. | A9012066 | C-Ring (12.0 Dia.) | 1 | |
| 2. | A9010003 | Bearing (6001ZZ) | 2 | |
| 3. | RQ310000 | Idler | 1 | |
| 4. | A9012063 | C-Ring (28.0 Dia.) | 1 | |
| 5. | RQ310010 | Idler Pulley Shaft | 1 | |
| 6. | RQ310020 | Tension Adjuster Bracket | 1 | |
| 7. | HM310070 | Tension Adjuster | 1 | |
| 8. | HP321140 | Upper Connecting Collar Bearing | 1 | |
| 9. | HX310110 | Upper Shaft Key (5x5x30) | 1 | |
| 10. | RQ310070 | Upper Shaft (NYHE-B) | 1 | |
| | RY310000 | Keyed Shaft, Upper (20 Dia. x 190 L) (ZQ5) | 1 | |
| 11. | HH320550 | Arm Shaft Connecting Coupling | 1 | |
| | A9013069 | Arm Shaft Coupling (N-20-20) (ZQ5) | 1 | |
| 12. | RQ310110 | Lower Connecting Shaft (520) | 1 | 4 Head |
| | RQ310120 | Lower Connecting Shaft (380) | 1 | 6 Head |
| | RY310010 | Main Shaft (20 Dia. x 2130 L) (ZQ5) | 1 | |
| 13. | A9020180 | Timing Belt (B250S5M1420) | 1 | |
| 14. | HX310040 | Timing Pulley B | 1 | |
| 15. | HX310030 | Timing Pulley A | 1 | |
| 16. | HM310251 | Angle Display Plate | 1 | |
| 17. | HX310090 | Angle Indicator (ZQ-B) | 1 | |
| 18. | RQ310030 | Bearing Bracket A | 1 | |
| 19. | HU315290 | Main Motor Shaft Key | 1 | |
| 20. | HV310220 | Main Motor (1K FBK8-4P-0.55kw VF3 200V) (ETL) | 1 | |
| 21. | RA310100 | Motor Bracket | 1 | |
| 22. | A9053081 | Motor Cable (1.25x4x5m) | 1 | |
| 23. | HP321140 | Upper Connecting Collar Bearing | 1 | |
| | A9011240 | Upper Shaft Support Bearing (UCFL 204) (ZQ5) | 1 | |
| 24. | HX310030 | Timing Pulley A | 1 | |
| | RX310000 | Timing Pulley A (ZQ5) | 1 | |
| 51. | | Hex Socket Bolt M5x10 (Black) | | |
| 52. | | Hex Socket Bolt M5x30 (Black) | | |
| 53. | | Hex Nut M5 | | |
| 54. | | Hex Nut M10 | | |
| 55. | | Hex Socket Bolt M6x20 (Black) | | |
| 56. | | Hex Socket Bolt M5x20 | | |
| 57. | | Hex Socket Set Screw M5x6 | | |
| 58. | | Phillips Truss Head Screw M4x6 | | |
| 59. | | Hex Socket Bolt M6x16 (Black) | | |
| 60. | | Hex Nut M8 | | |
| 61. | | Hex Socket Bolt M8x25 | | |
| 62. | | Hex Socket Bolt M8x35 | | |
| 63. | | Hex Socket Bolt M6x30 | | |
| | | Hex Socket Bolt M8x25 (ZQ5) | | |

08B DRIVE B

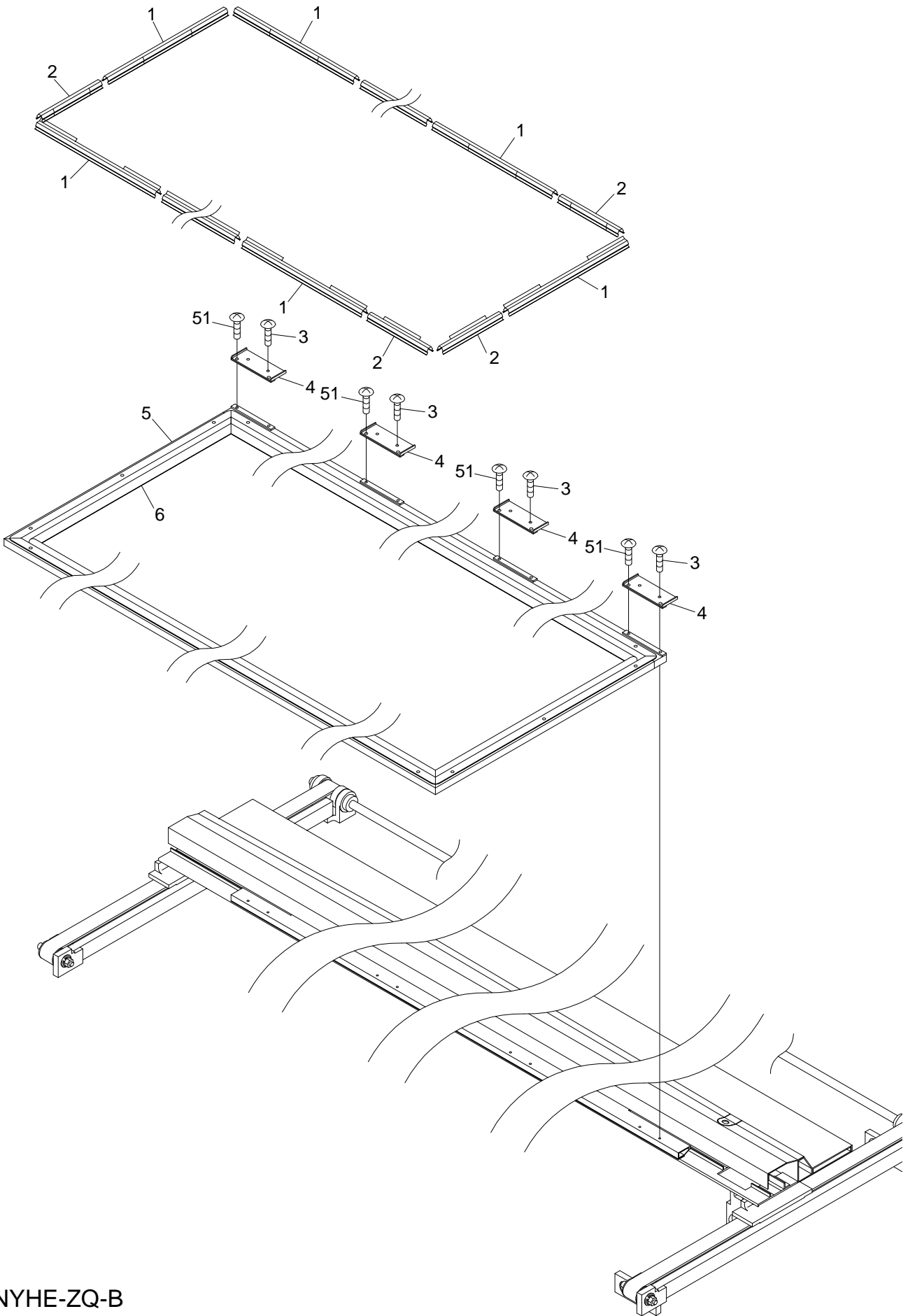


BENYHE-ZQ-B
BENBHE-ZQ-B

08B Drive B

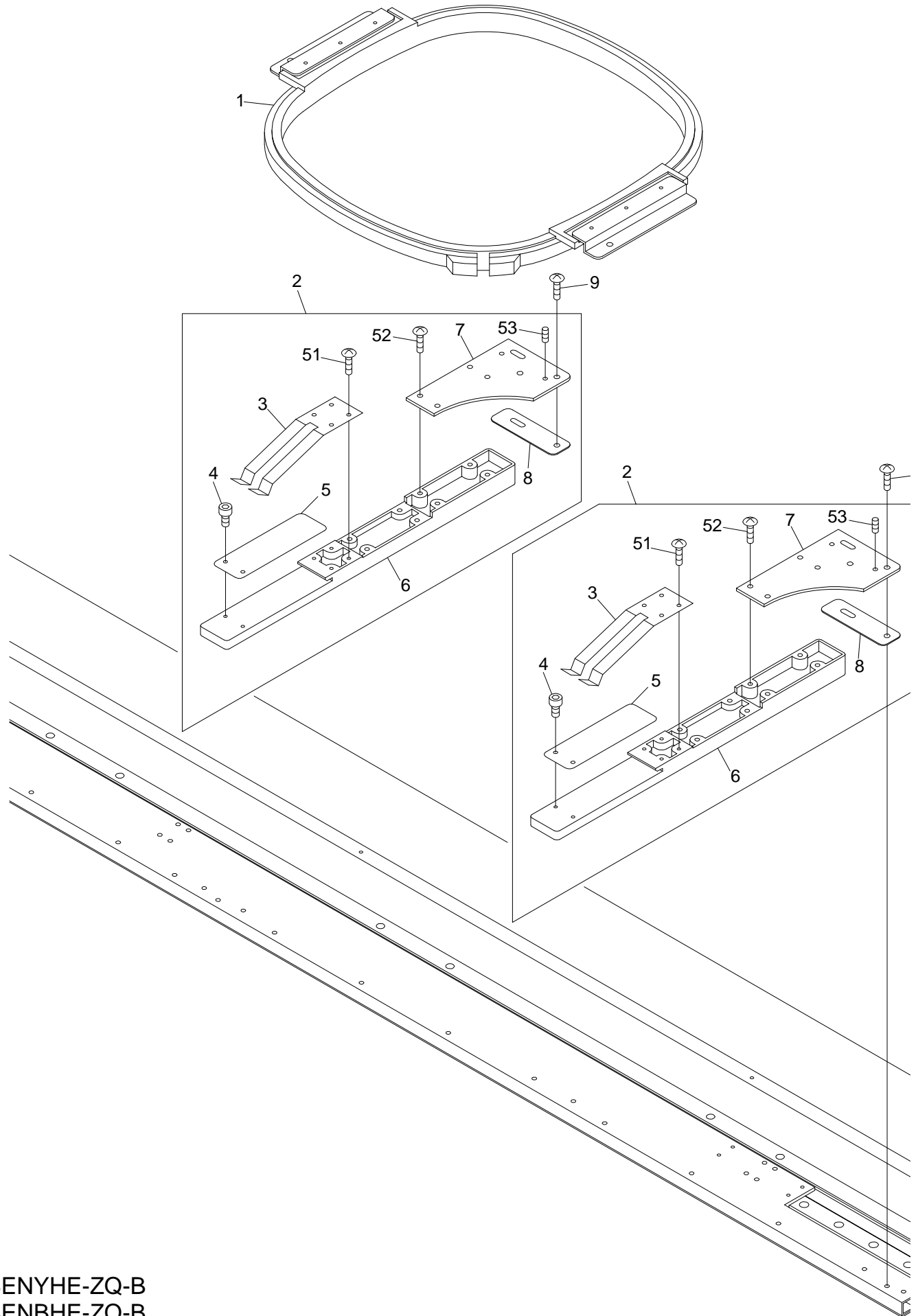
| ITEM | LIST NO. | DESCRIPTION | QTY | NOTE |
|------|----------|-----------------------------------|-----|-------------|
| 1. | RQ310050 | Shaft Support Plate (Lower Shaft) | 1 | |
| 2. | A9011111 | Needle Bearing (TLA-2012Z) | 1 | |
| 3. | HP321090 | Lower Connecting Shaft Collar | 1 | |
| 4. | HX310110 | Upper Shaft Key (5x5x30) | 1 | |
| 5. | RQ310100 | Lower Shaft (Pulley A) | 1 | |
| 6. | RA310310 | Spur Gear | 2 | |
| 7. | RQ310150 | Bearing Fixing Collar | 2 | |
| 8. | A9012061 | C-Ring (10.0 Dia.) | 1 | |
| 9. | A9010066 | Bearing (LF-1910ZZ) | 2 | |
| 10. | RA310321 | Idler Spur Gear (Metal) | 1 | |
| 11. | RA310330 | Idler Shaft | 1 | |
| 12. | A9010007 | Bearing (6002ZZ) | 1 | |
| 13. | RQ310130 | Bearing Bracket | 1 | Small Hook |
| | RQ310131 | Bearing Bracket (ZQ5) | 1 | |
| | RQ310160 | Bearing Bracket (ZQ5) | 1 | Medium Hook |
| 14. | | | | |
| 15. | RQ310110 | Lower Connecting Shaft (520) | 1 | 4 Head |
| | RQ310120 | Lower Connecting Shaft (380) | 1 | 6 Head |
| 16. | HP331923 | Encoder Support | 1 | |
| 17. | KN511020 | Position Encoder (051) | 1 | |
| 18. | HP321140 | Upper Connecting Bearing Collar | 1 | |
| 19. | RQ310040 | Bearing Bracket B (Lower Shaft) | 1 | |
| 20. | HX310030 | Timing Pulley A | 1 | |
| 21. | A9012156 | Thrust Washer (70W-2015) (ZQ5) | 1 | |
| 22. | HP321710 | Encoder Driving Gear No.1 | 1 | |
| 23. | HP321720 | Encoder Driving Gear No.2 | 1 | |
| 24. | A9011111 | Needle Bearing (TLA-2012Z) | 1 | |
| | A9010007 | Bearing (6002ZZ) (ZQ5) | 1 | |
| 25. | HP321090 | Lower Connecting Shaft Collar | 1 | |
| | RQ310150 | Bearing Fixing Collar (ZQ5) | 1 | |
| 51. | | Hex Socket Set Screw M5x6 | | |
| 52. | | Hex Socket Bolt (Black) M6x20 | | |
| 53. | | Phillips Truss Screw M4x6 | | |
| 54. | | Hex Nut M8 | | |
| 55. | | Hex Socket Bolt M4x18 | | |
| | | | | |
| | | | | |
| | | | | |
| | | | | |
| | | | | |
| | | | | |
| | | | | |
| | | | | |
| | | | | |
| | | | | |

10A PANTOGRAPH DRIVE A



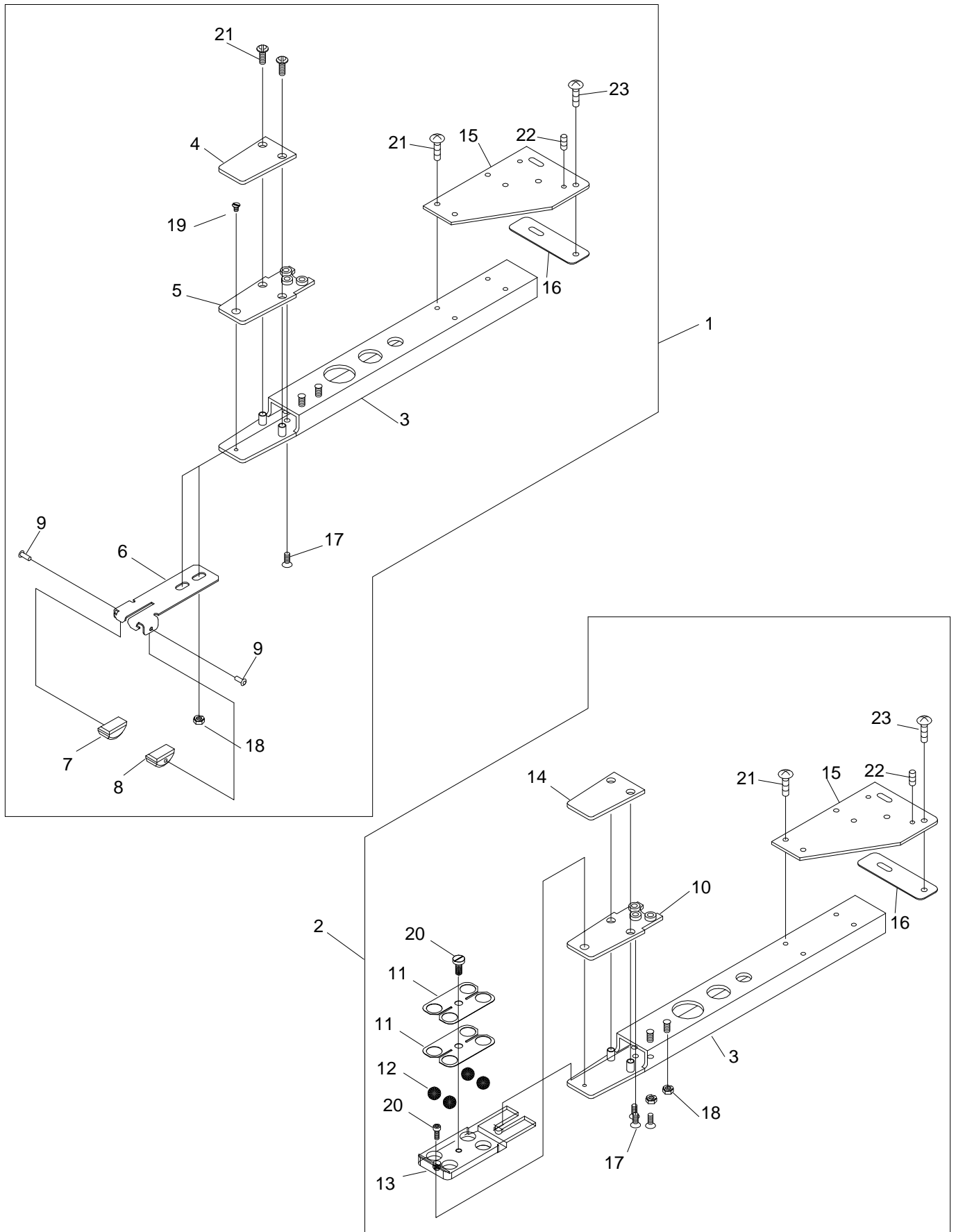
BENYHE-ZQ-B
BENBHE-ZQ-B

10B-1 PANTOGRAPH DRIVE B-1



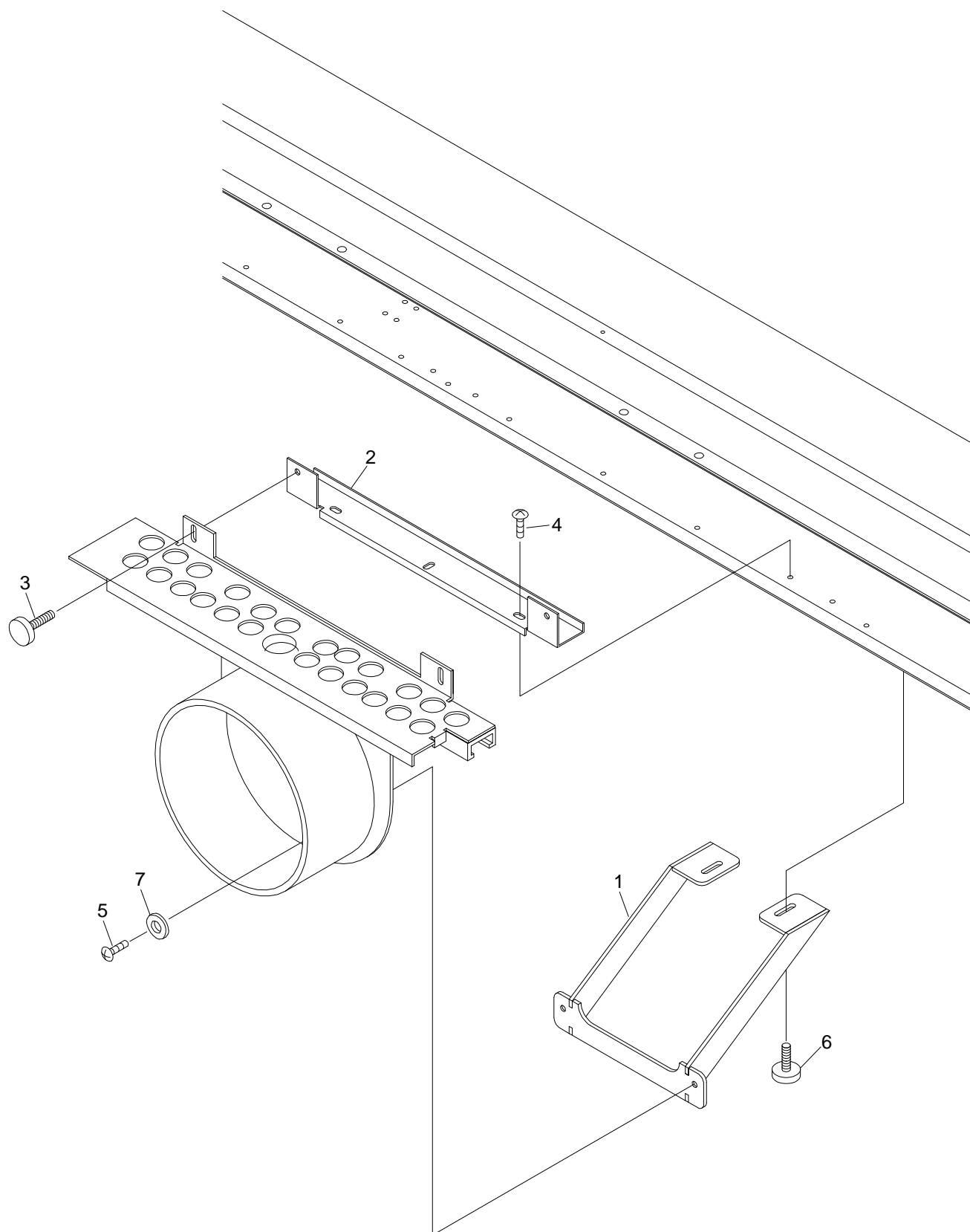
BENYHE-ZQ-B
BENBHE-ZQ-B

10B-2 PANTOGRAPH DRIVE B-2



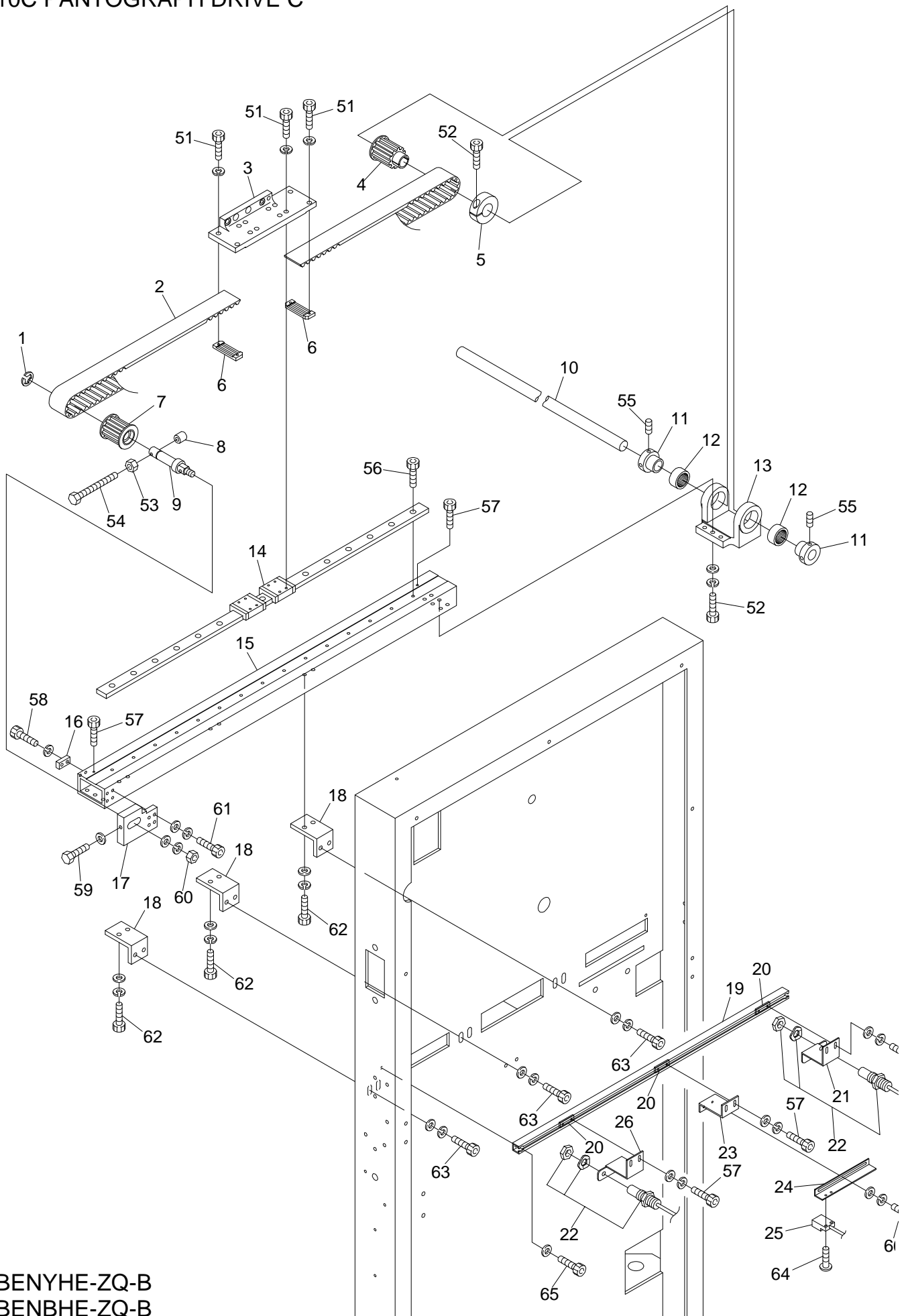
BENYHE-ZQ-B
BENBHE-ZQ-B

10B-3 PANTOGRAPH DRIVE B-3



BENYHE-ZQ-B
BENBHE-ZQ-B

10C PANTOGRAPH DRIVE C



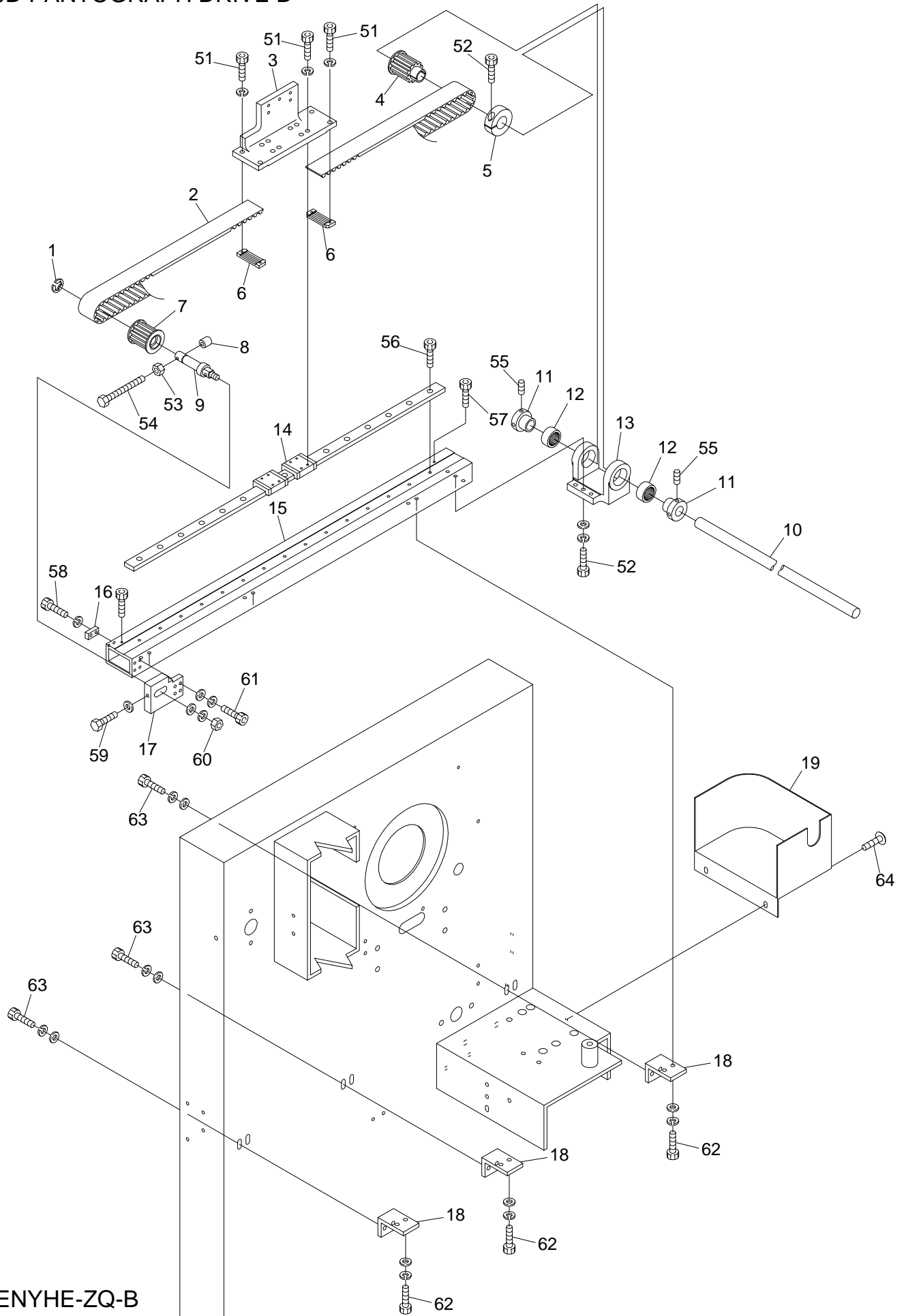
BENYHE-ZQ-B
BENBHE-ZQ-B

10C Pantograph Drive C

(H = Head Qty.)

| ITEM | LIST NO. | DESCRIPTION | QTY | NOTE |
|------|----------|-------------------------------------|-----|-------------|
| 1. | A9012052 | E-Ring (10.0 Dia.) | 1 | |
| 2. | HV480110 | Timing Belt (B300S5M) | 1 | |
| 3. | RQ480020 | H-Guide Slide Bracket (R) | 1 | |
| 4. | HV480040 | Pantograph Drive Pulley (Rear) | 1 | |
| 5. | HH481980 | Clamping Collar (19.0 Dia.) | 1 | |
| 6. | HP480940 | Belt Set Rack | 2 | |
| 7. | HV480050 | Pantograph Drive Pulley (Front) | 1 | |
| 8. | HH482110 | Pulley Shaft Bolt Cap | 1 | |
| 9. | HM480020 | Timing Pulley Shaft (H) | 1 | |
| 10. | KC320113 | H-Motor Shaft (R) (15mm) | 1 | Cut Product |
| 11. | HP321090 | Lower Connecting Shaft Collar | 2 | |
| 12. | A9011111 | Needle Bearing (TLA-2012Z) | 2 | |
| 13. | RQ480010 | H-Guide Rear Pulley Bracket | 1 | |
| 14. | RA480120 | LM-Guide (HRW12LR200M+600LM) (H) | 2 | |
| 15. | RQ480040 | H-Guide Rail Base (R) | 1 | |
| 16. | RQ480070 | Support Plate | 1 | |
| 17. | RQ480000 | H-Guide Front Pulley Bracket | 1 | |
| 18. | RQ480060 | H-Rail Base Fixed Bracket | 3 | |
| 19. | RQ480120 | H-Rail | 1 | |
| 20. | KU460270 | Plate Nut (M3) | 3 | |
| 21. | RQ480100 | Switch Bracket R (H-Side) | 1 | |
| 22. | A9052079 | Limit Switch (RS-001) | 2 | |
| 23. | RQ480081 | Origin Sensor Bracket (H) | 1 | |
| 24. | RQ480091 | Origin Sensor Fixed Stay (H) | 1 | |
| 25. | A9052084 | Origin Sensor (SW-3795) | 1 | |
| 26. | RQ480110 | Switch Bracket L (H-Side) | 1 | |
| 51. | | Hex Socket Bolt M3x10 | | |
| 52. | | Hex Socket Bolt M5x18 (Black) | | |
| 53. | | Hex Nut M4 | | |
| 54. | | Hex Bolt M4x40 | | |
| 55. | | Hex Socket Set Screw M5x8 | | |
| 56. | | Hex Socket Bolt M4x8 (Black) | | |
| 57. | | Hex Socket Bolt M3x6 (Black) | | |
| 58. | | Hex Socket Bolt M4x12 (Black) | | |
| 59. | | Hex Bolt M4x25 | | |
| 60. | | Hex Nut M8 | | |
| 61. | | Hex Socket Bolt M4x16 | | |
| 62. | | Hex Socket Bolt M5x16 | | |
| 63. | | Hex Socket Bolt M6x16 | | |
| 64. | | Truss Screw M3x10 (Stainless Steel) | | |
| 65. | | Hex Socket Bolt M4x6 | | |
| 66. | | Hex Socket Bolt M3x6 | | |
| | | | | |
| | | | | |

10D PANTOGRAPH DRIVE D



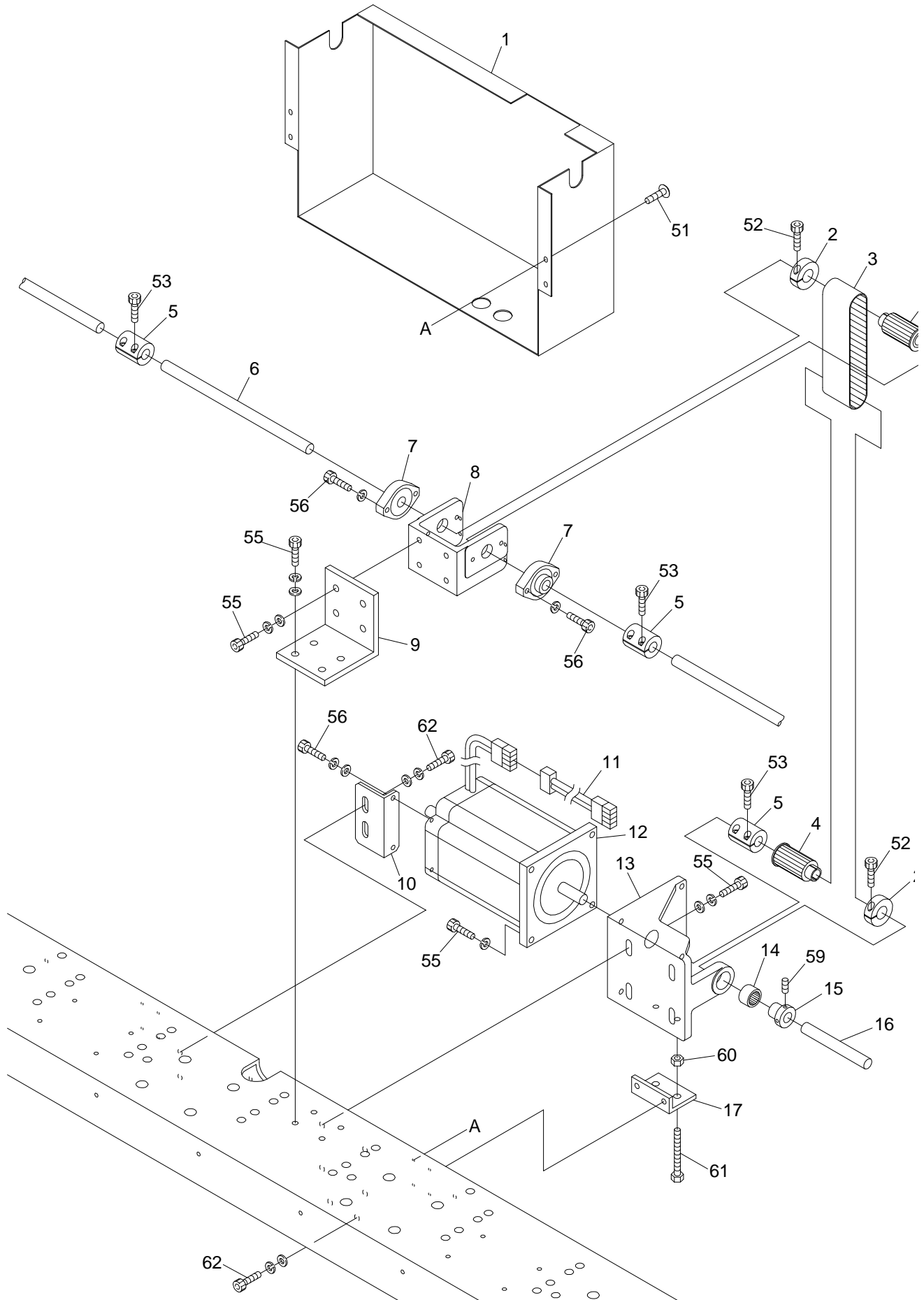
BENYHE-ZQ-B
BENBHE-ZQ-B

10D Pantograph Drive D

(H = Head Qty.)

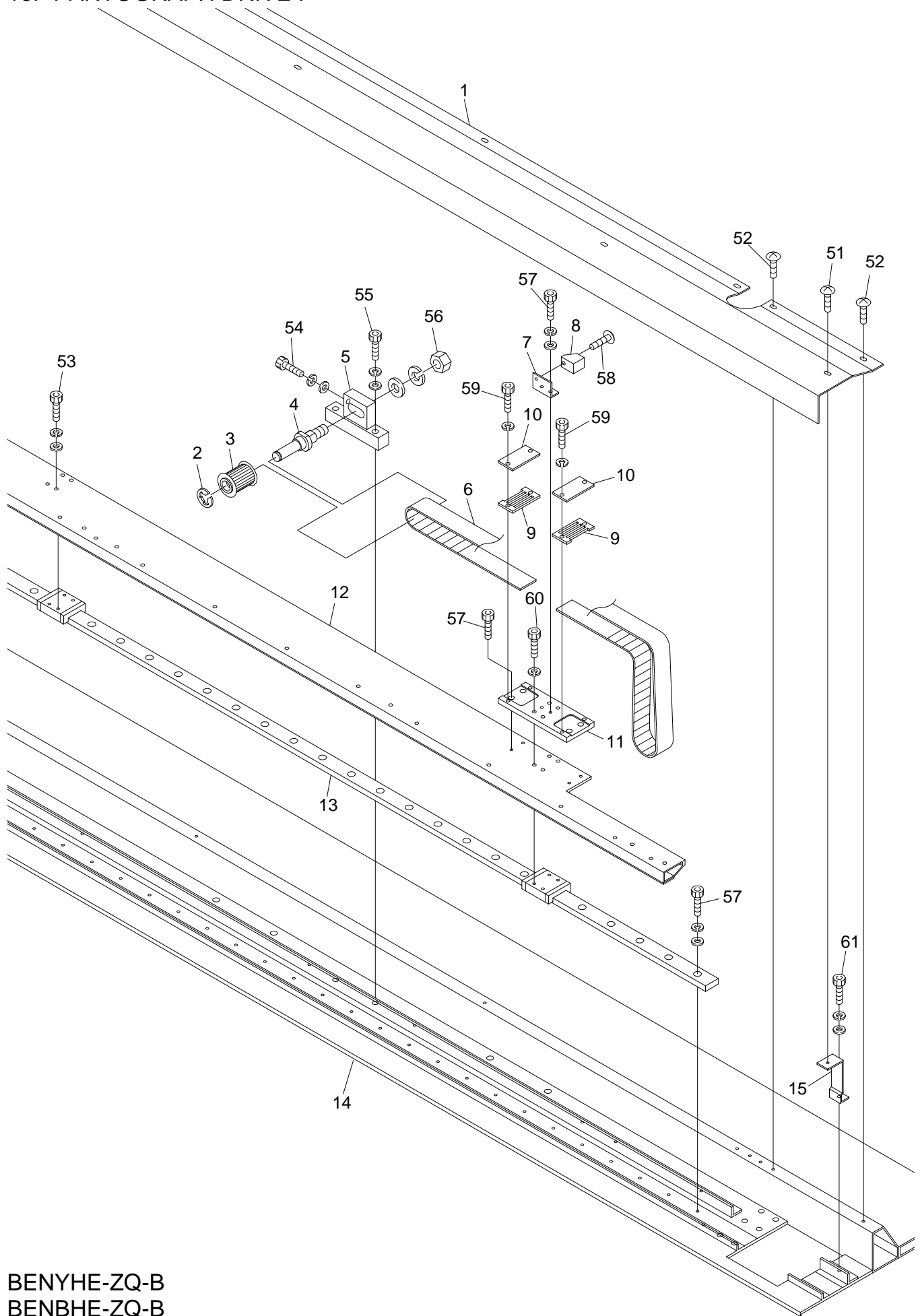
| ITEM | LIST NO. | DESCRIPTION | QTY | NOTE |
|------|----------|----------------------------------|-----|-------------|
| 1. | A9012052 | E-Ring (10.0 Dia.) | 1 | |
| 2. | HV480110 | Timing Belt (B300S5M) | 1 | |
| 3. | RQ480300 | H-Guide Slide Bracket (L) | 1 | |
| 4. | HV480040 | Pantograph Drive Pulley (Rear) | 1 | |
| 5. | HH481980 | Clamping Collar (19.0 Dia.) | 1 | |
| 6. | HP480940 | Belt Set Rack | 2 | |
| 7. | HV480050 | Pantograph Drive Pulley (Front) | 1 | |
| 8. | HH482110 | Pulley Shaft Bolt Cap | 1 | |
| 9. | HM480020 | Timing Pulley Shaft (H) | 1 | |
| 10. | KC320113 | H-Motor Shaft (L) | 1 | Cut Product |
| 11. | HP321090 | Lower Connecting Shaft Collar | 2 | |
| 12. | A9011111 | Needle Bearing (TLA-2012Z) | 2 | |
| 13. | RQ480010 | H-Guide Rear Pulley Bracket | 1 | |
| 14. | RA480120 | LM-Guide (HRW12LR200M+600LM) (H) | 1 | |
| 15. | RQ480050 | H-Guide Rail Base (L) | 1 | |
| 16. | RQ480070 | Support Plate | 1 | |
| 17. | RQ480000 | H-Guide Front Pulley Bracket | 1 | |
| 18. | RQ480060 | H-Rail Base Fixed Bracket | 3 | |
| 19. | RQ480230 | Back Cover, Frame | 1 | |
| 51. | | Hex Socket Bolt M3x10 | | |
| 52. | | Hex Socket Bolt M5x18 (Black) | | |
| 53. | | Hex Nut M4 | | |
| 54. | | Hex Bolt M4x40 | | |
| 55. | | Hex Socket Set Screw M5x8 | | |
| 56. | | Hex Socket Bolt M4x8 (Black) | | |
| 57. | | Hex Socket Bolt M3x6 (Black) | | |
| 58. | | Hex Socket Bolt M4x12 (Black) | | |
| 59. | | Hex Bolt M4x25 | | |
| 60. | | Hex Nut M8 | | |
| 61. | | Hex Socket Bolt M4x16 | | |
| 62. | | Hex Socket Bolt M5x16 | | |
| 63. | | Hex Socket Bolt M6x16 | | |
| 64. | | Phillips Truss Head Screw M4x8 | | |
| | | | | |
| | | | | |
| | | | | |
| | | | | |
| | | | | |
| | | | | |
| | | | | |
| | | | | |
| | | | | |
| | | | | |
| | | | | |
| | | | | |
| | | | | |

10E PANTOGRAPH DRIVE E



BENYHE-ZQ-B
BENBHE-ZQ-B

10F PANTOGRAPH DRIVE F

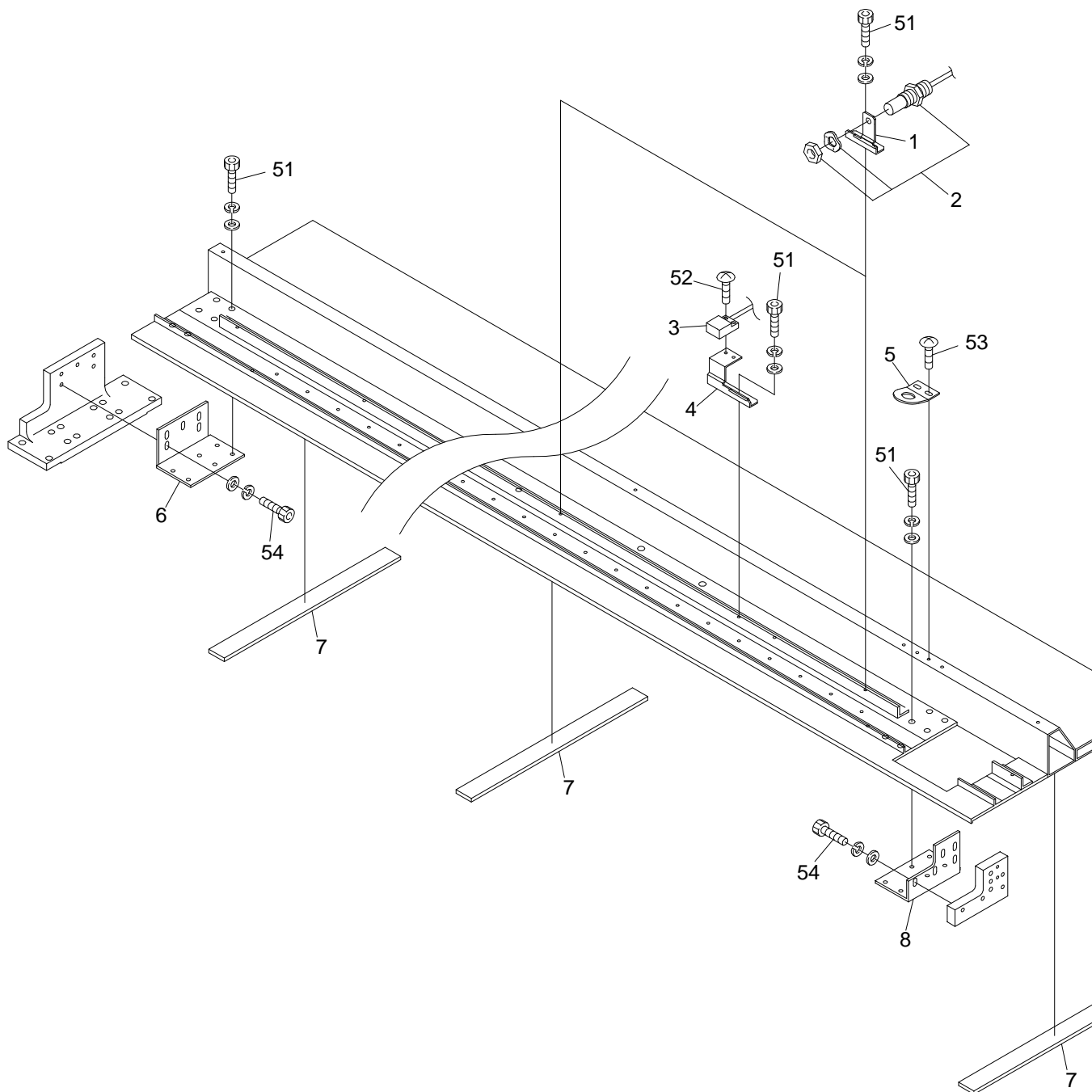


BENYHE-ZQ-B
BENBHE-ZQ-B

10F Pantograph Drive F

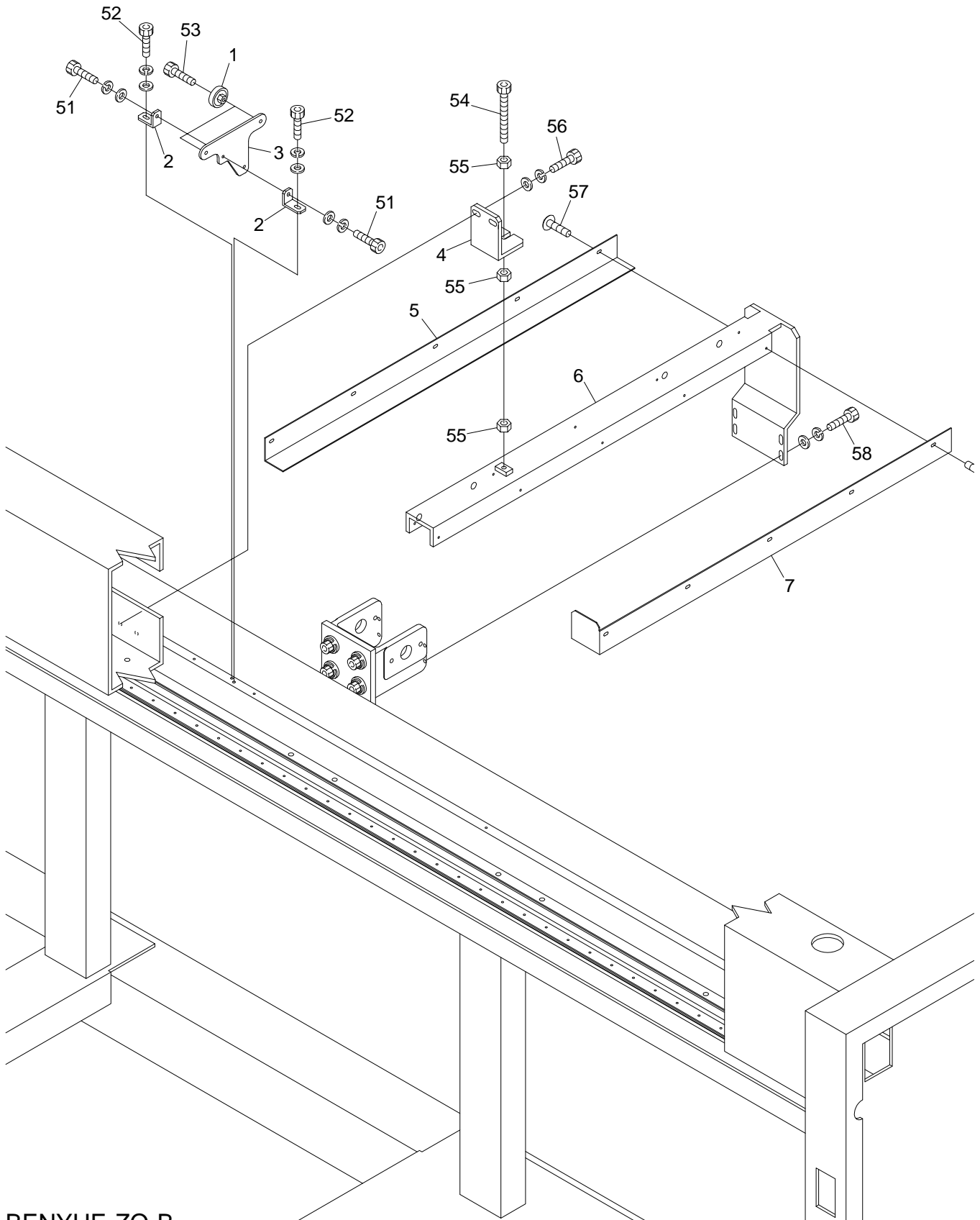
| ITEM | LIST NO. | DESCRIPTION | QTY | NOTE |
|------|----------|--------------------------------|-----|-----------|
| 1. | RQ481031 | V-Guide Cover | 1 | 4 Head |
| | RQ481370 | V-Guide Cover (380) | 1 | 6 Head |
| 2. | A9012404 | E-Ring (8.0 Dia.) | 1 | |
| 3. | RQ481080 | Timing Pulley (V) | 1 | |
| 4. | RQ481050 | Timing Pulley Shaft B (V) | 1 | |
| 5. | RQ481071 | Idler Bracket | 1 | |
| 6. | A9020191 | Timing Belt (B250S5M-1800) | 1 | |
| 7. | RQ481260 | Magnet Fixing Bracket | 1 | |
| 8. | A9052030 | Magnet (M-102A-02) | 1 | |
| 9. | RQ481281 | V-Belt Set Rack (S5M-W25) | 2 | |
| 10. | RQ481271 | V-Belt Set Plate (S5M-W25) | 2 | |
| 11. | RQ481250 | Magnet Fixing Base | 1 | |
| 12. | RQ481001 | V-Slide Bracket (520) | 1 | 4 Head |
| | RQ481012 | V-Slide Bracket (380) | 1 | 6 Head |
| 13. | RQ481210 | LM-Guide (V) L=2480 | 1 | 4, 6 Head |
| 14. | RQ481022 | V-Guide Bracket (520) | 1 | 4 Head |
| | RQ481362 | V-Guide Bracket (380) | 1 | 6 Head |
| 15. | RQ481351 | Cover Fixing Bracket | 10 | |
| 51. | | Phillips Truss Head Screw M4x6 | | |
| 52. | | Phillips Truss Head Screw M3x8 | | |
| 53. | | Hex Socket Bolt M3x10 | | |
| 54. | | Hex Socket Bolt M5x25 | | |
| 55. | | Hex Socket Bolt M6x22 | | |
| 56. | | Hex Nut M10 | | |
| 57. | | Hex Socket Bolt M3x6 | | |
| 58. | | Truss Screw M3x6 | | |
| 59. | | Hex Socket Bolt M4x12 | | |
| 60. | | Hex Socket Bolt M3x14 | | |
| 61. | | Hex Socket Bolt M4x10 | | |
| | | | | |
| | | | | |
| | | | | |
| | | | | |
| | | | | |
| | | | | |
| | | | | |
| | | | | |
| | | | | |
| | | | | |
| | | | | |
| | | | | |
| | | | | |
| | | | | |
| | | | | |

10G PANTOGRAPH DRIVE G



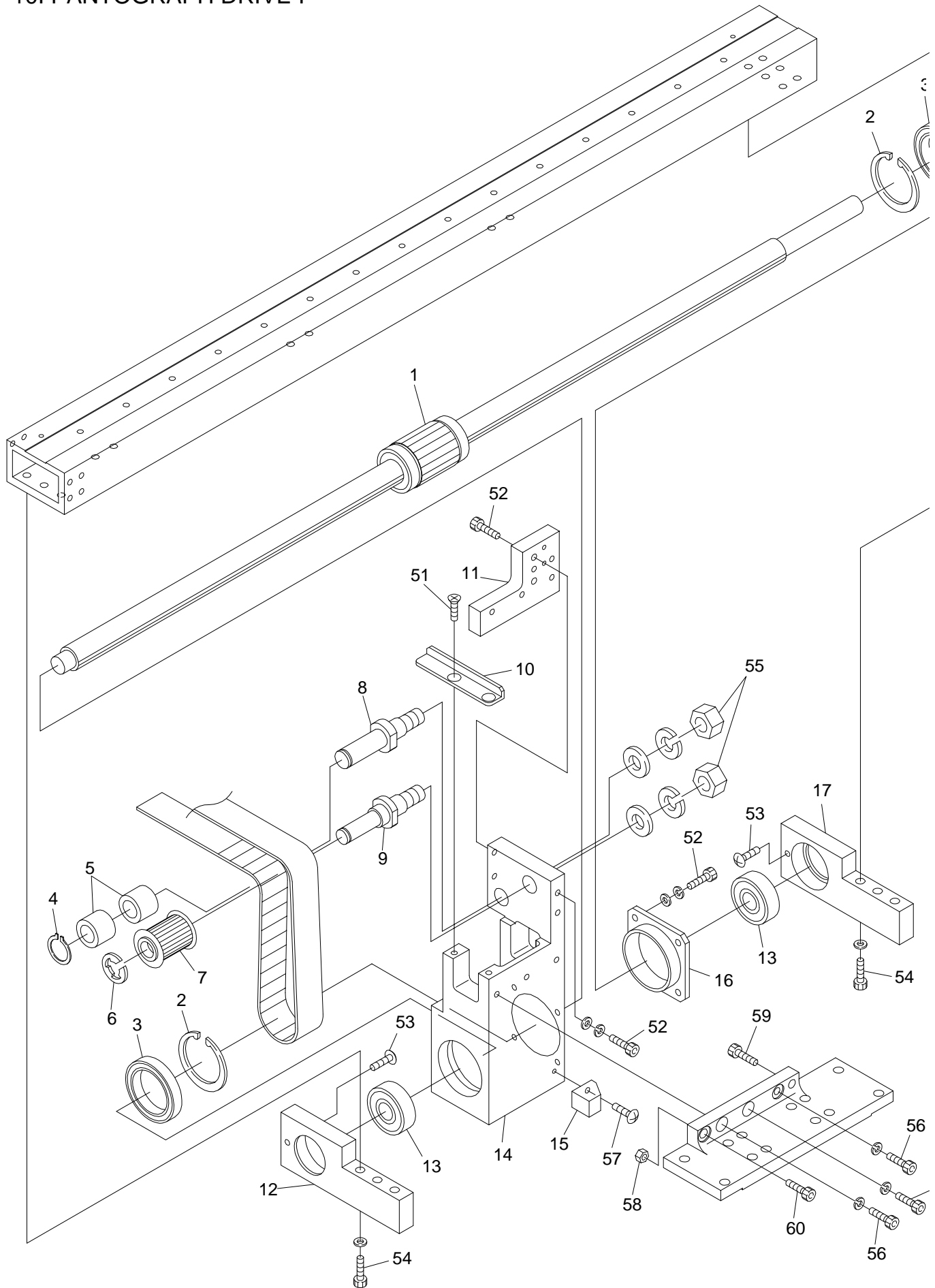
BENYHE-ZQ-B
BENBHE-ZQ-B

10H PANTOGRAPH DRIVE H



BENYHE-ZQ-B
BENBHE-ZQ-B

10I PANTOGRAPH DRIVE I

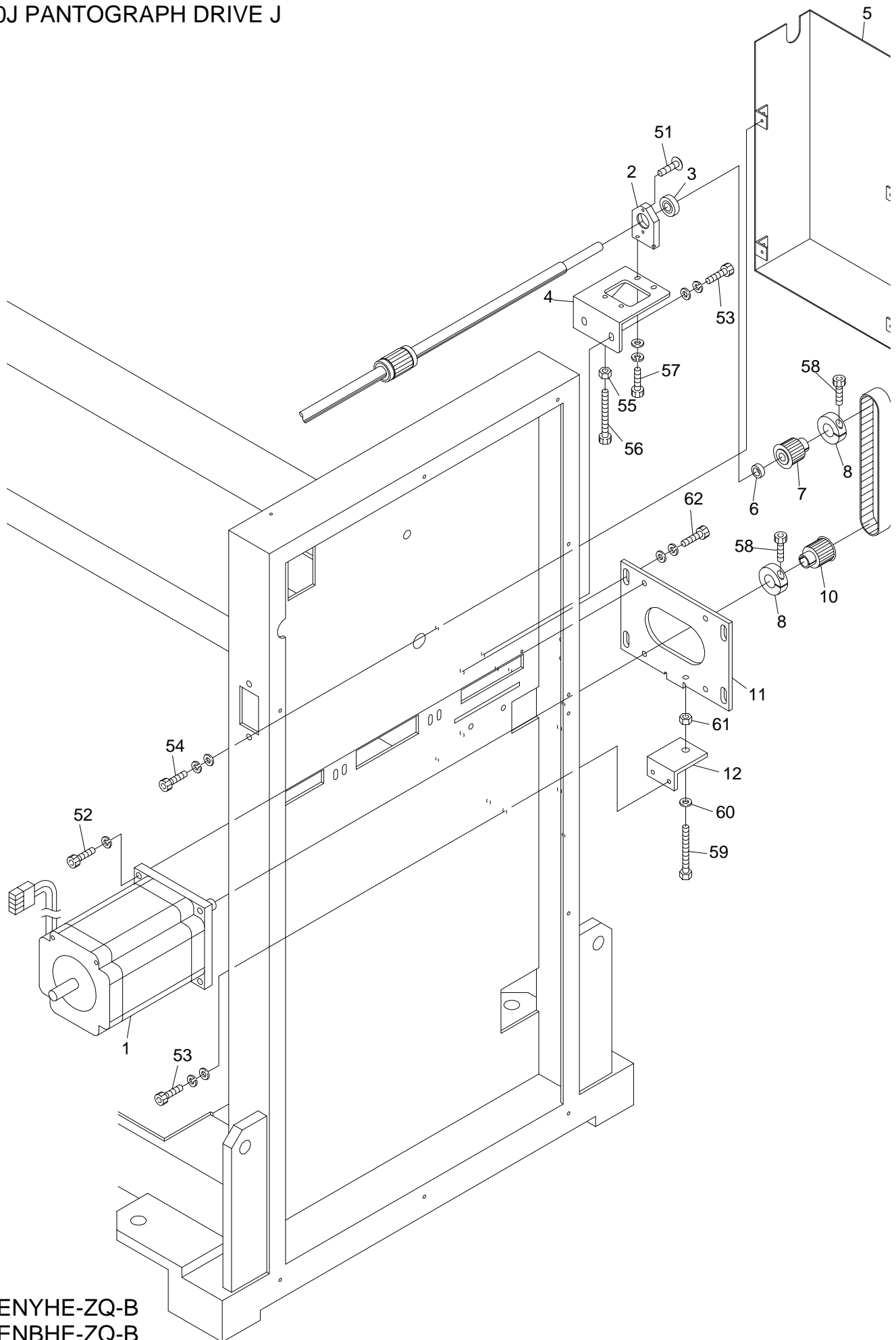


BENYHE-ZQ-B
BENBHE-ZQ-B

10I Pantograph Drive I

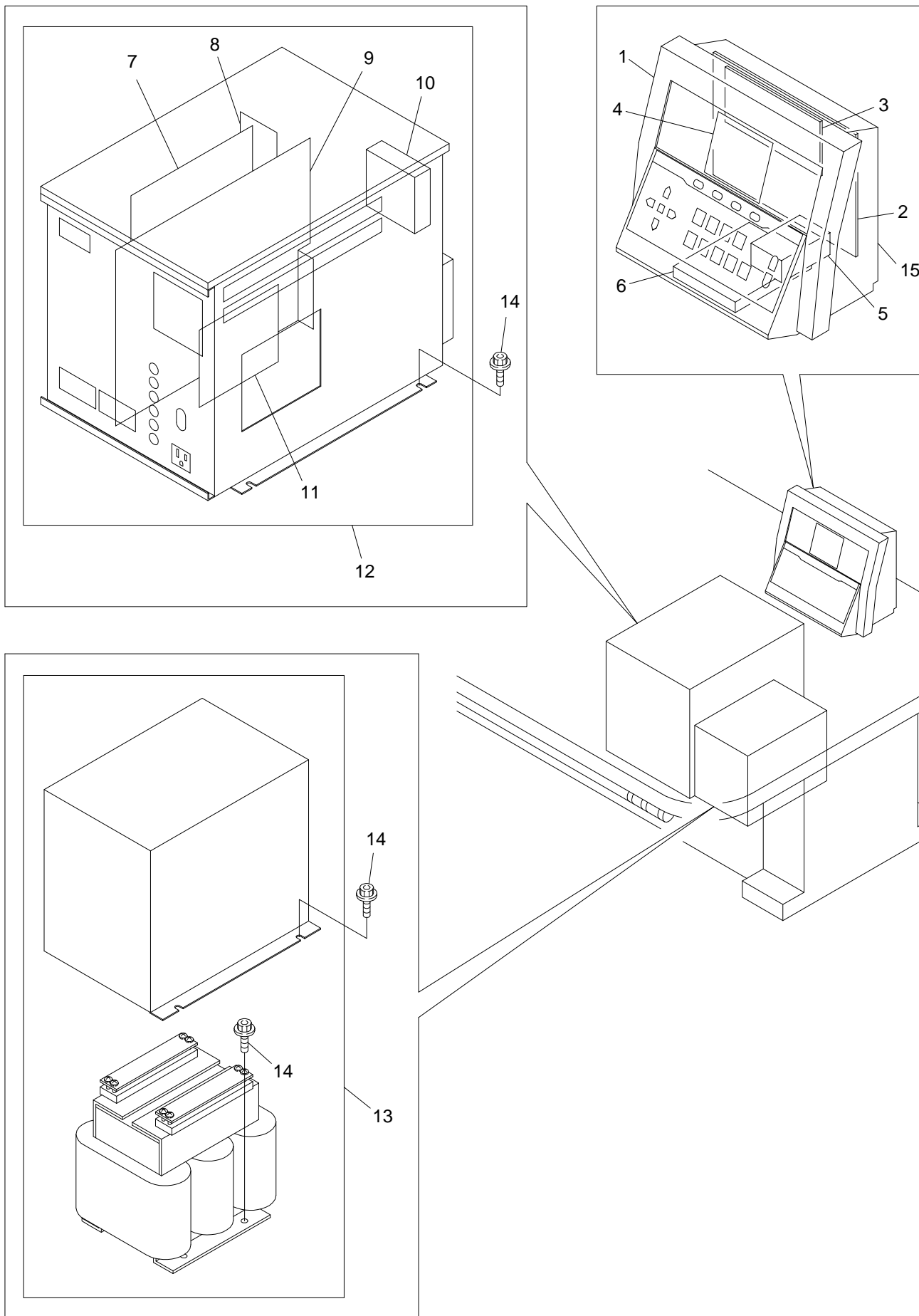
| ITEM | LIST NO. | DESCRIPTION | QTY | NOTE |
|------|----------|-----------------------------------|-----|------|
| 1. | RA480300 | V-Drive Shaft with Pulley (S5M) | 1 | |
| 2. | A9012401 | Stop Ring (S=30) | 2 | |
| 3. | A9010061 | Bearing (6806) | 2 | |
| 4. | A9012405 | C-Ring (11.0 Dia.) | 1 | |
| 5. | A9011065 | Needle Bearing (TA-1215Z) | 2 | |
| 6. | A9012404 | E-Ring (8.0 Dia.) | 1 | |
| 7. | RQ481080 | Timing Pulley (V) | 1 | |
| 8. | RQ481040 | Timing Pulley Shaft A (V) | 1 | |
| 9. | RQ481060 | Timing Pulley Shaft C (V) | 1 | |
| 10. | RQ481331 | V-Slide Bracket Support | 1 | |
| 11. | RQ481341 | Pantograph Frame Connecting Plate | 1 | |
| 12. | RQ481110 | Spline Bearing Plate (Front) | 1 | |
| 13. | A9010025 | Bearing (6201ZZ) | 2 | |
| 14. | RQ481100 | V-Drive Slide Block | 1 | |
| 15. | A9052030 | Magnet (M-102A-02) | 1 | |
| 16. | RQ481090 | Spline Shaft Bearing Holder | 1 | |
| 17. | RQ481120 | Spline Bearing Plate (Rear) | 1 | |
| 51. | | Phillips Flat Head Screw M4x8 | | |
| 52. | | Hex Socket Bolt M4x12 | | |
| 53. | | Phillips Truss Head Screw M4x10 | | |
| 54. | | Hex Socket Bolt M5x25 | | |
| 55. | | Hex Nut M10 | | |
| 56. | | Hex Socket Bolt M4x18 | | |
| 57. | | Phillips Truss Head Screw M3x8 | | |
| 58. | | Hex Nut M6 | | |
| 59. | | Hex Socket Bolt M6x12 | | |
| 60. | | Hex Socket Bolt M6x16 | | |
| 61. | | Hex Socket Bolt M4x12 | | |
| | | | | |
| | | | | |
| | | | | |
| | | | | |
| | | | | |
| | | | | |
| | | | | |
| | | | | |
| | | | | |
| | | | | |
| | | | | |
| | | | | |
| | | | | |
| | | | | |
| | | | | |
| | | | | |
| | | | | |
| | | | | |
| | | | | |
| | | | | |
| | | | | |
| | | | | |
| | | | | |
| | | | | |
| | | | | |
| | | | | |
| | | | | |

10J PANTOGRAPH DRIVE J



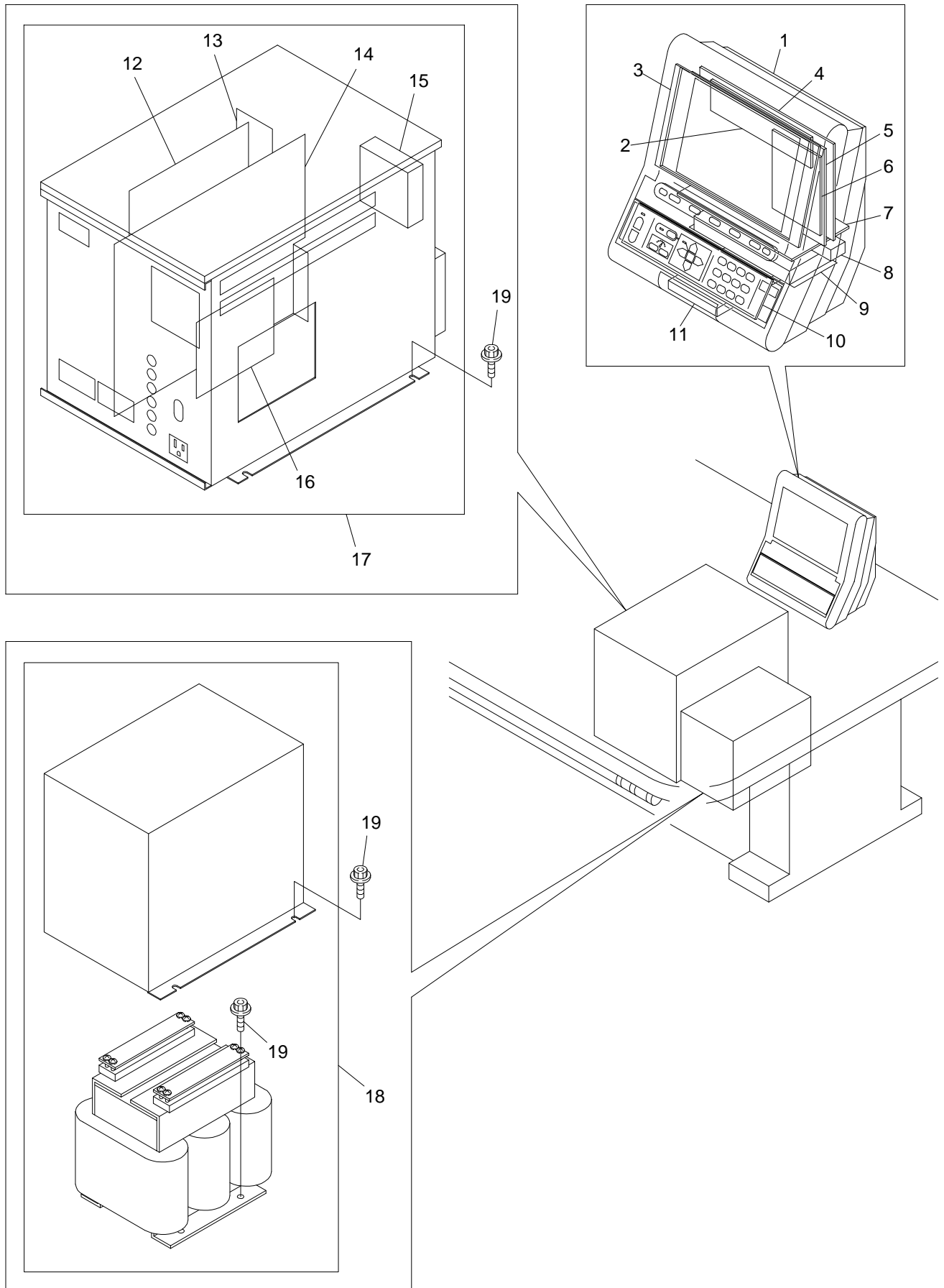
BENYHE-ZQ-B
BENBHE-ZQ-B

11A-1 CONTROL A (NY-2)



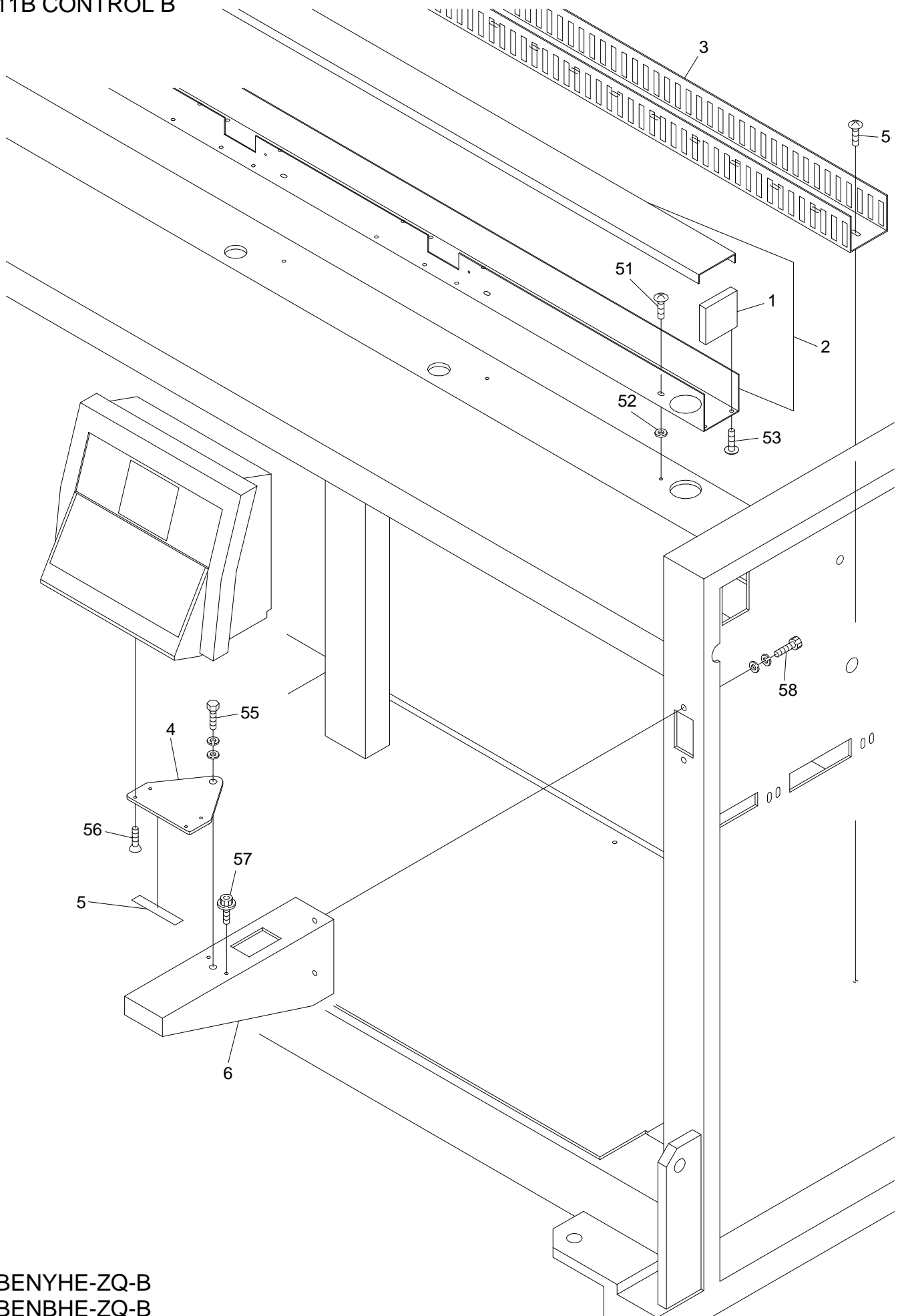
BENYHE-ZQ-B
BENBHE-ZQ-B

11A-2 CONTROL A (NB)



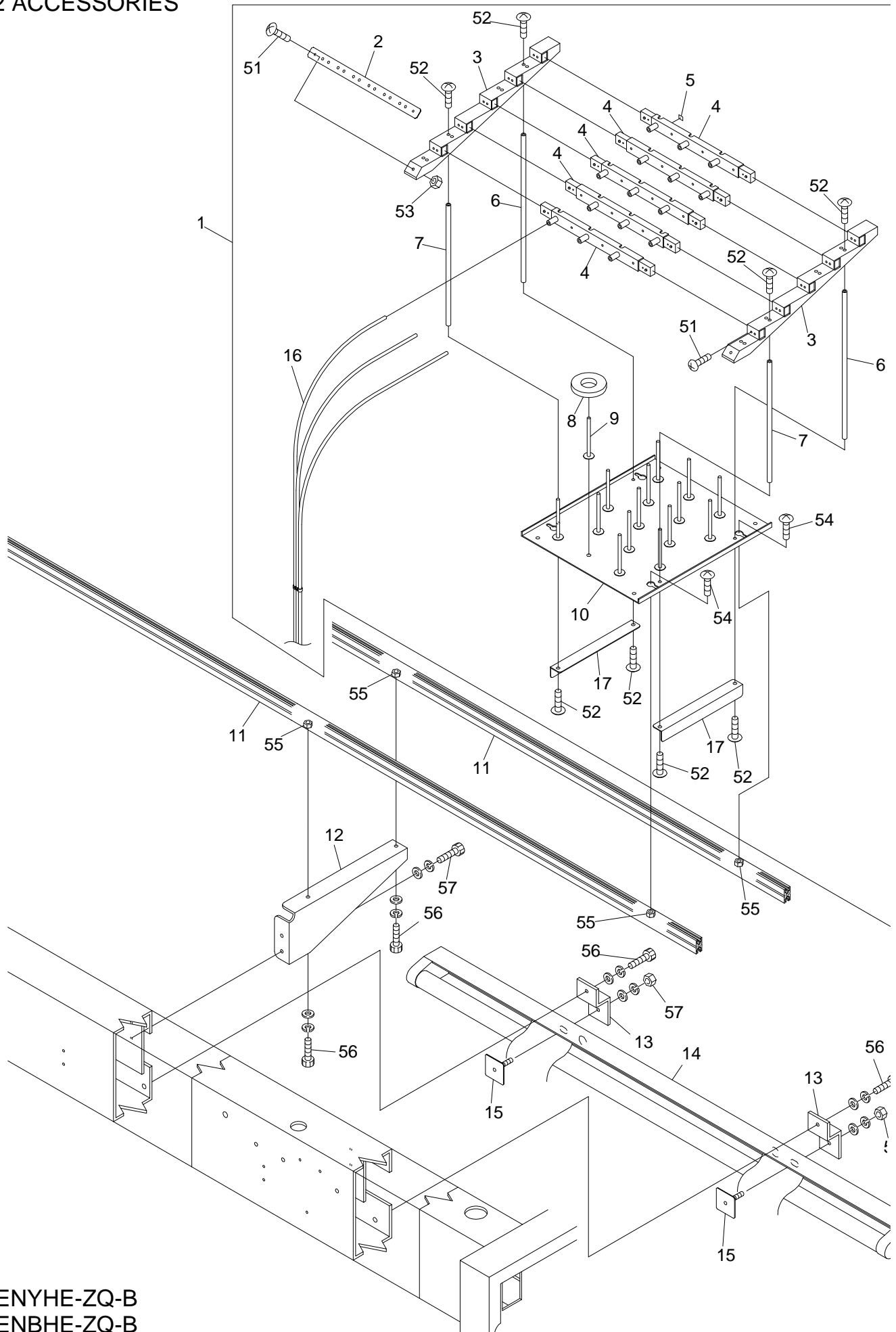
BENYHE-ZQ-B
BENBHE-ZQ-B

11B CONTROL B



BENYHE-ZQ-B
BENBHE-ZQ-B

12 ACCESSORIES



BENYHE-ZQ-B
BENBHE-ZQ-B

